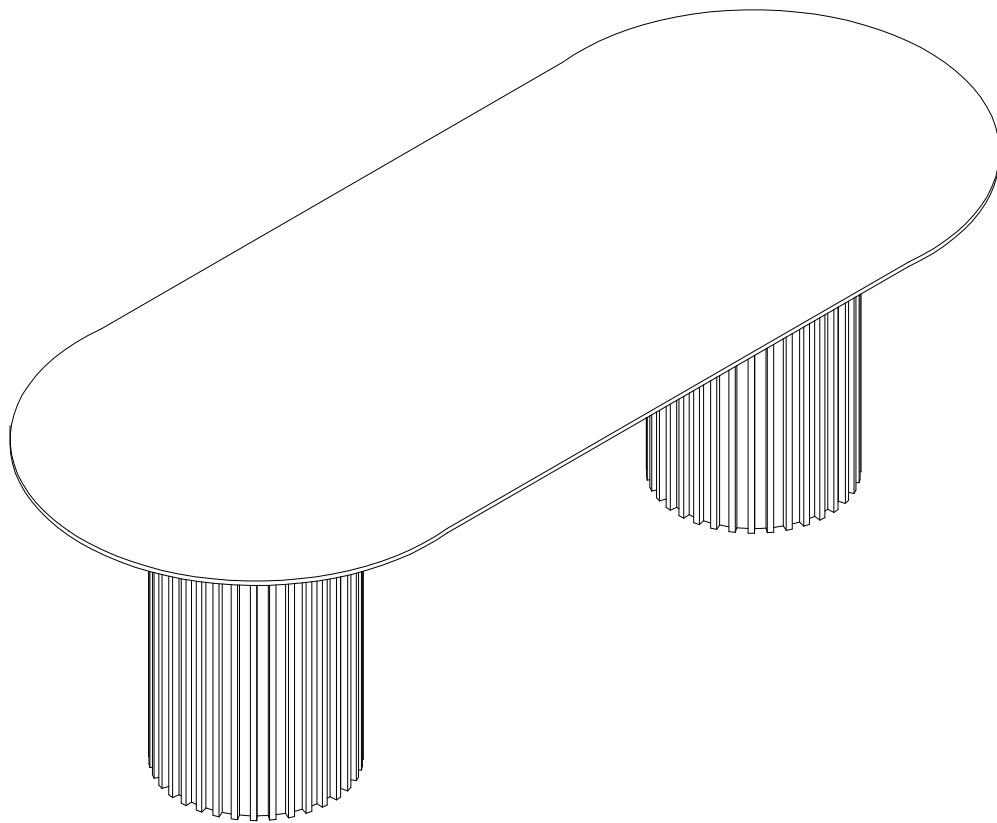
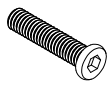
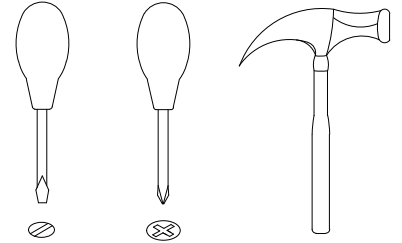
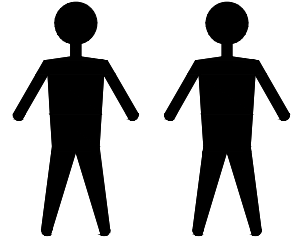


CP1903D2



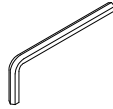
CP1903D2



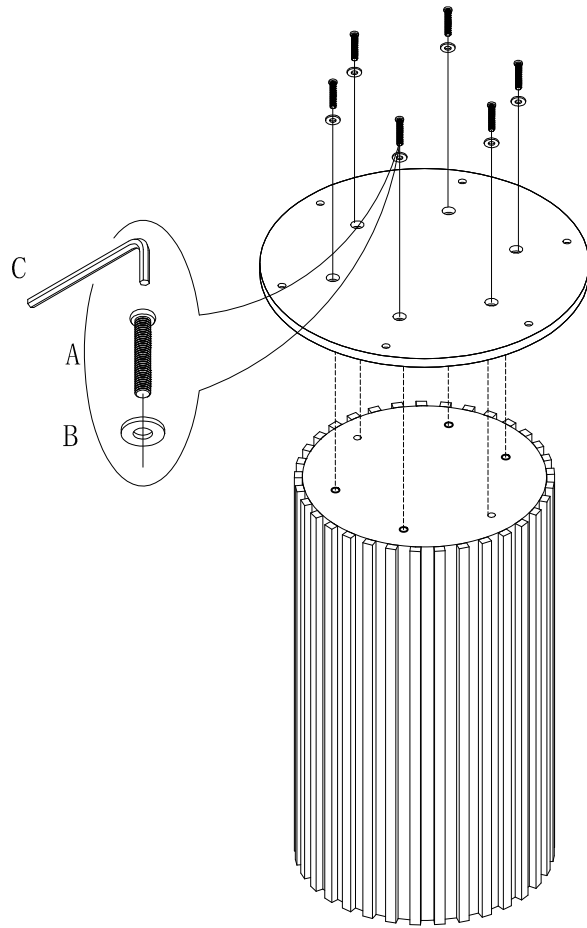
A x24
Spec: 5/16*L30



B x24
Spec: $\phi 8.2 * \phi 18$



C x1
Spec: 5#



1

2

