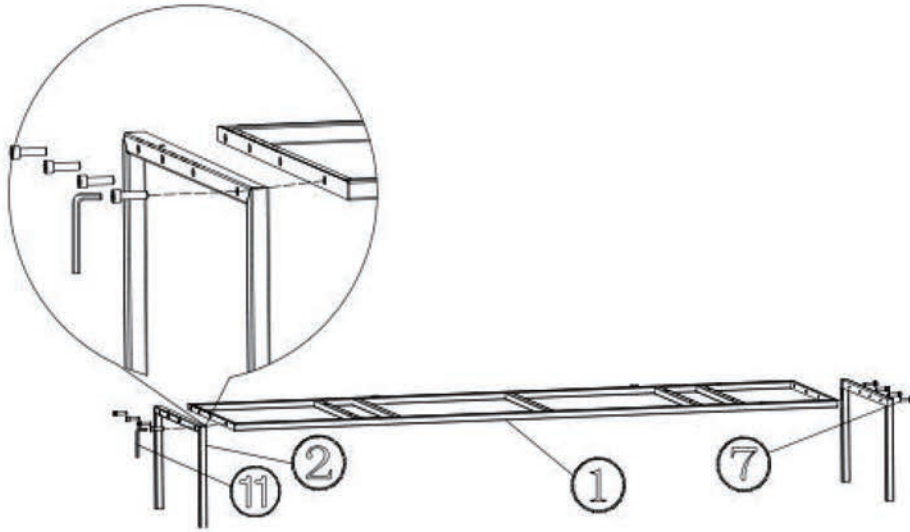
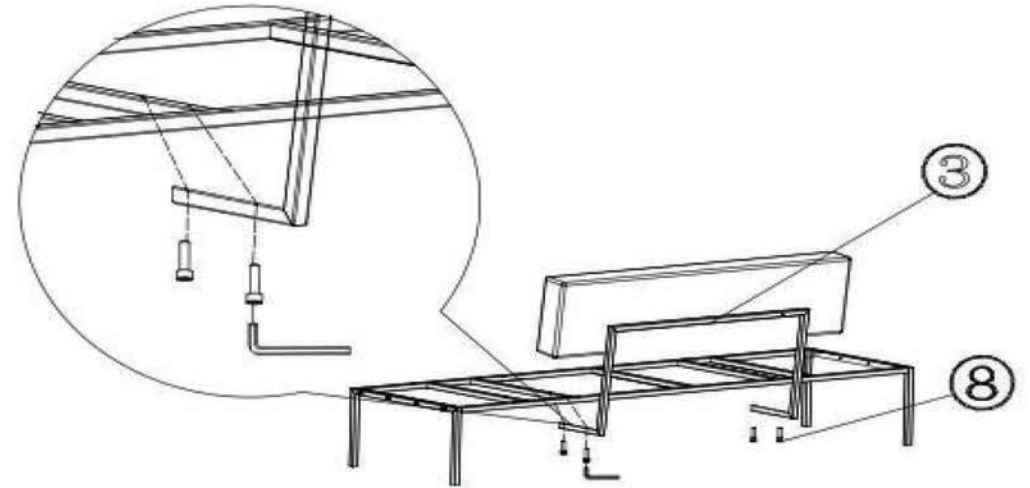


ASSEMBLY INSTRUCTION

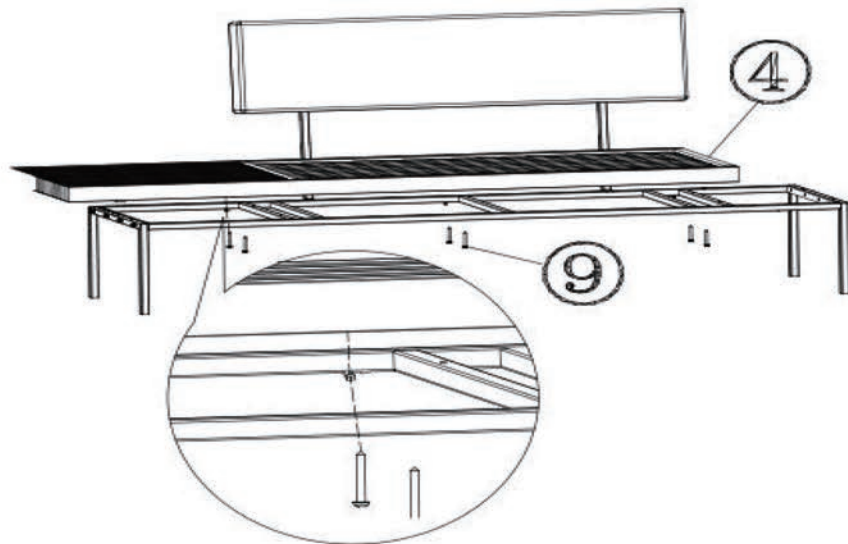
Step 1



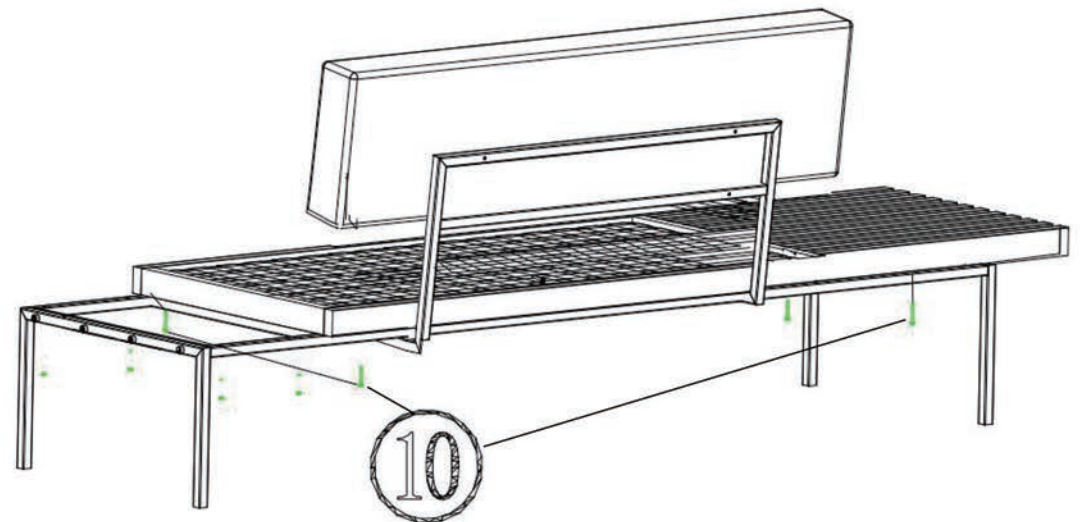
Step 2



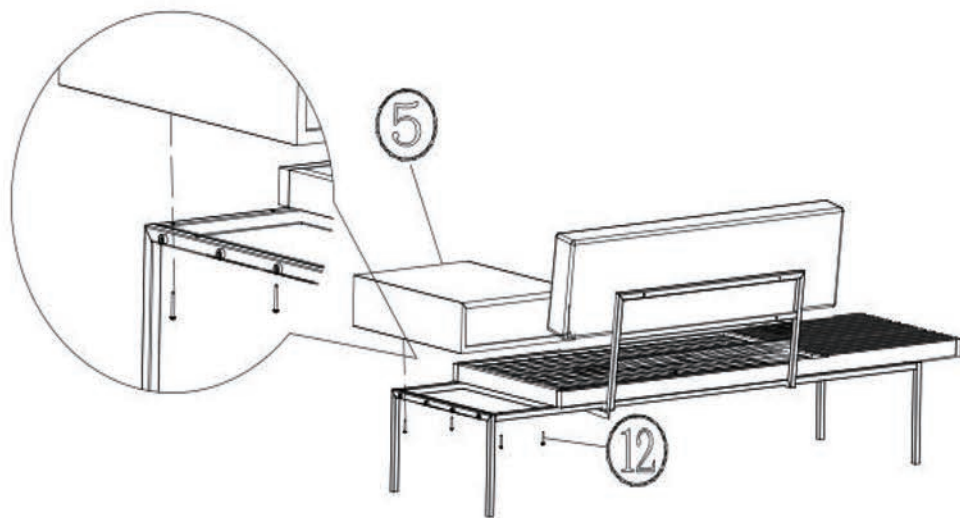
Step 3



Step 4



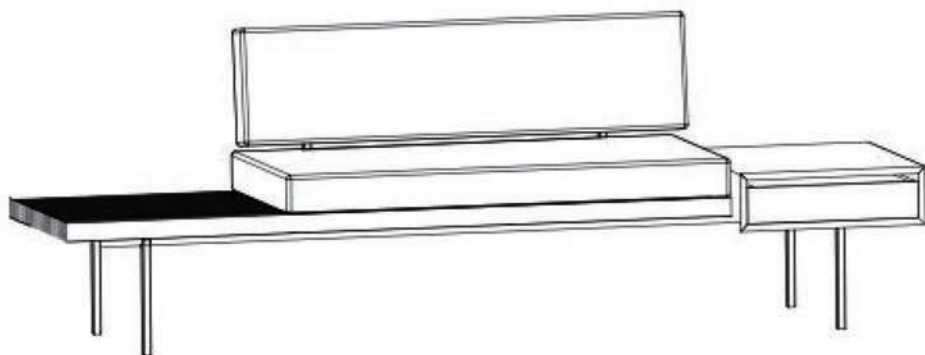
Step 5



Step 6



Step 7



Finished

ALL PARTS LIST

No.	Description of parts	Qty/pc
1	Top frame of metal rack	1
2	Metal leg	2
3	Backrest of Bench	1
4	Seat with wooden frame	1
5	Wooden box with drawer	1
6	Seat cushion	1
7	Screws with M8*30mm size	8
8	Screws with M8*35mm size	4
9	Wood screws M4*20mm size	6
10	Wood screws M4*38mm size	4
11	Wrench	1
12	Wood screws M4*55mm size	4