

# ASSEMBLY INSTRUCTIONS

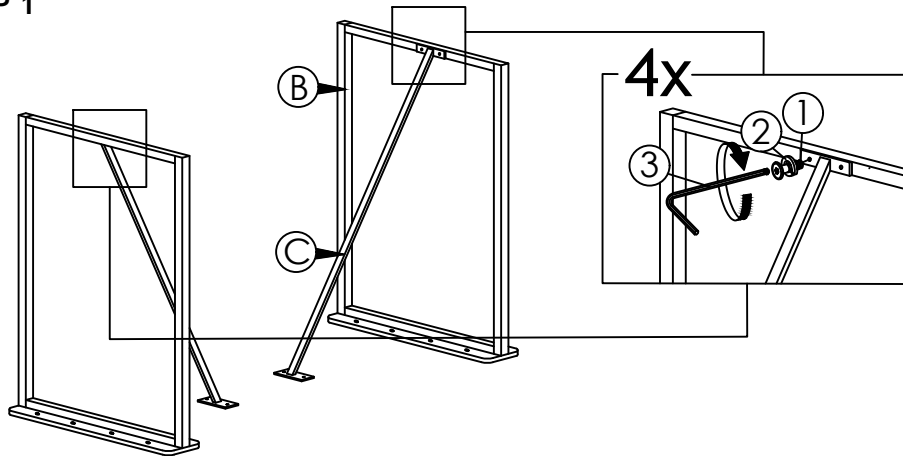
Read this instruction carefully. Refer hardware and furniture parts list for guidance. Be sure all parts are complete, before assembling. Place all wooden furniture part on a clean and flat soft surface to prevent scratches. Refer steps provided as assembling guide.

## CAUTIONS :

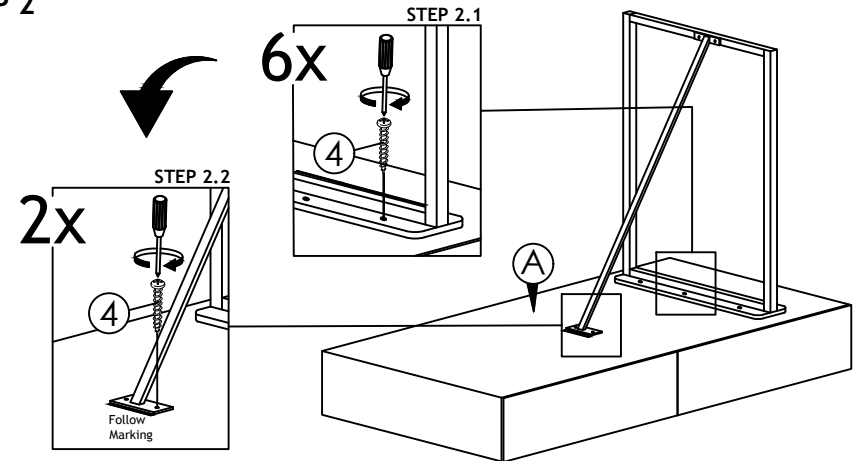
1. Do not FULLY-TIGHTEN the nuts or nut bolts until all are in place.
2. To prevent thread damage. Ensure that nuts or nut bolts are not over-tighten.
3. Hardware are to be kept out of reach from children.

PART LIST			HARDWARE LIST		
ITEM	DESCRIPTION	QTY	ITEM	DESCRIPTION	QTY
A	CONSOLE TABLE	1 PC	1	JCBC SCREW M6 x 16MM (BLACK)	4 PCS
B	CONSOLE TABLE LEG	2 PCS	2	M4 ALLEN KEY (BALL SHAPE) LONG	1 PC
C	SUPPORT BAR	2 PCS	3	PAN HEAD SCREW M4 x 16MM	16 PCS

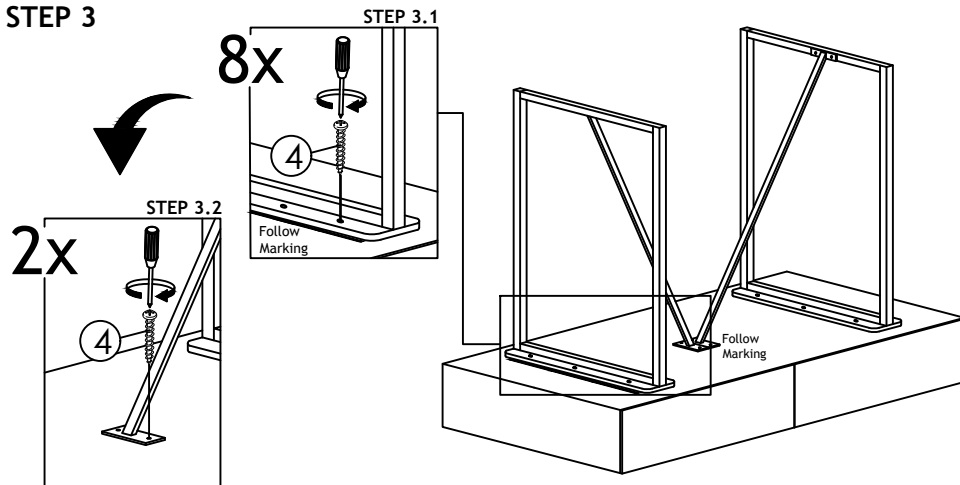
## STEP 1



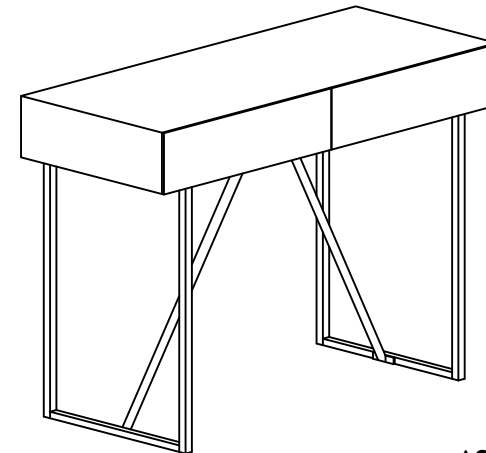
## STEP 2



## STEP 3



## STEP 4



ASSEMBLY COMPLETED