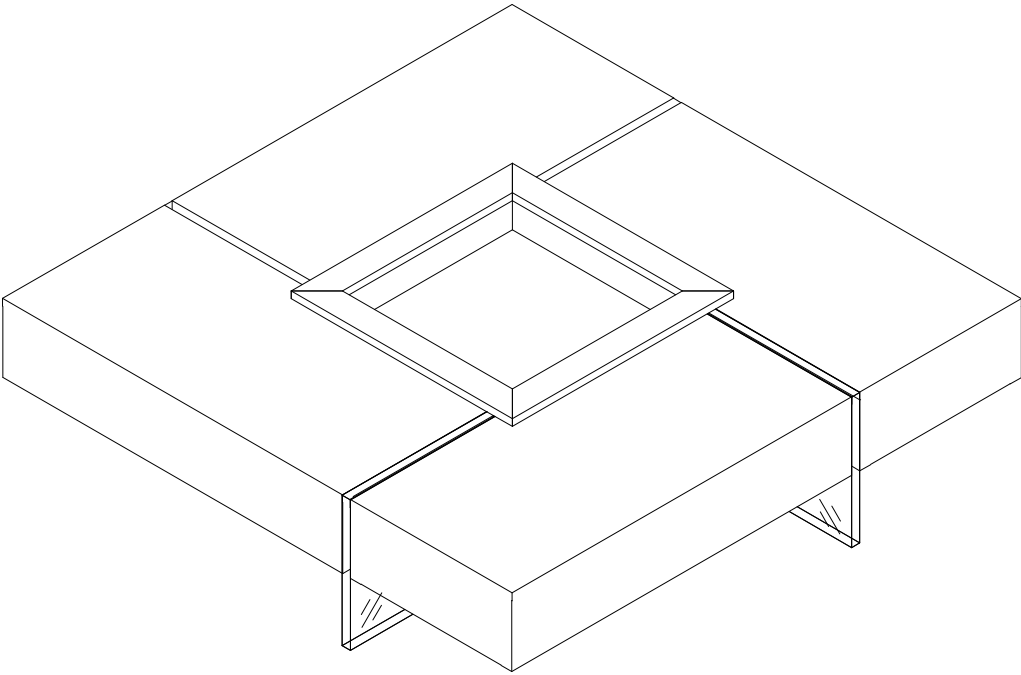
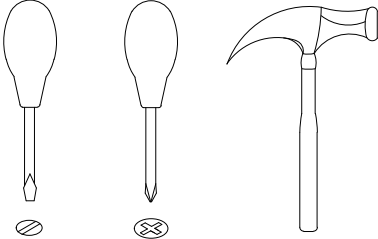
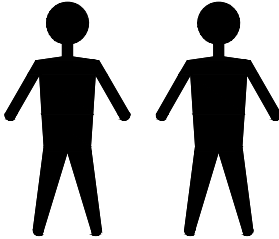


CPM2852



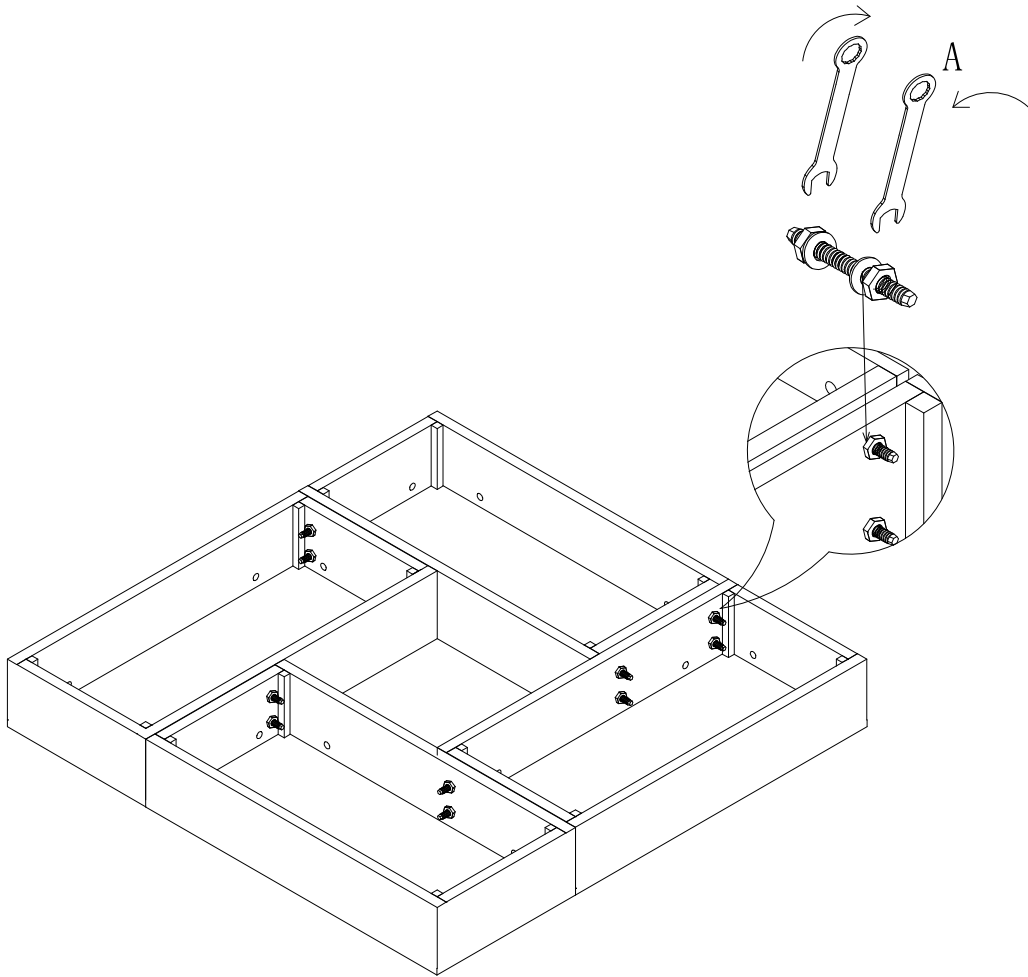
CPM2852



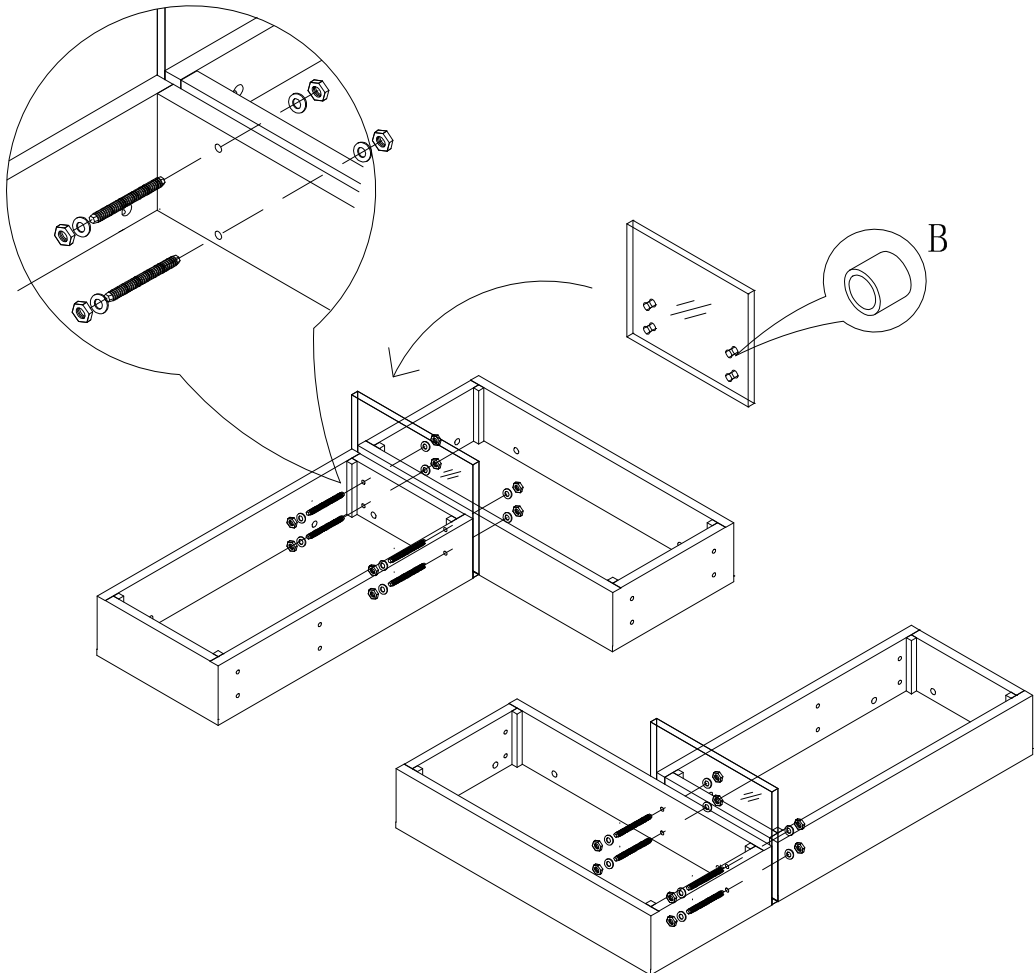
A x2
Spec: 14#

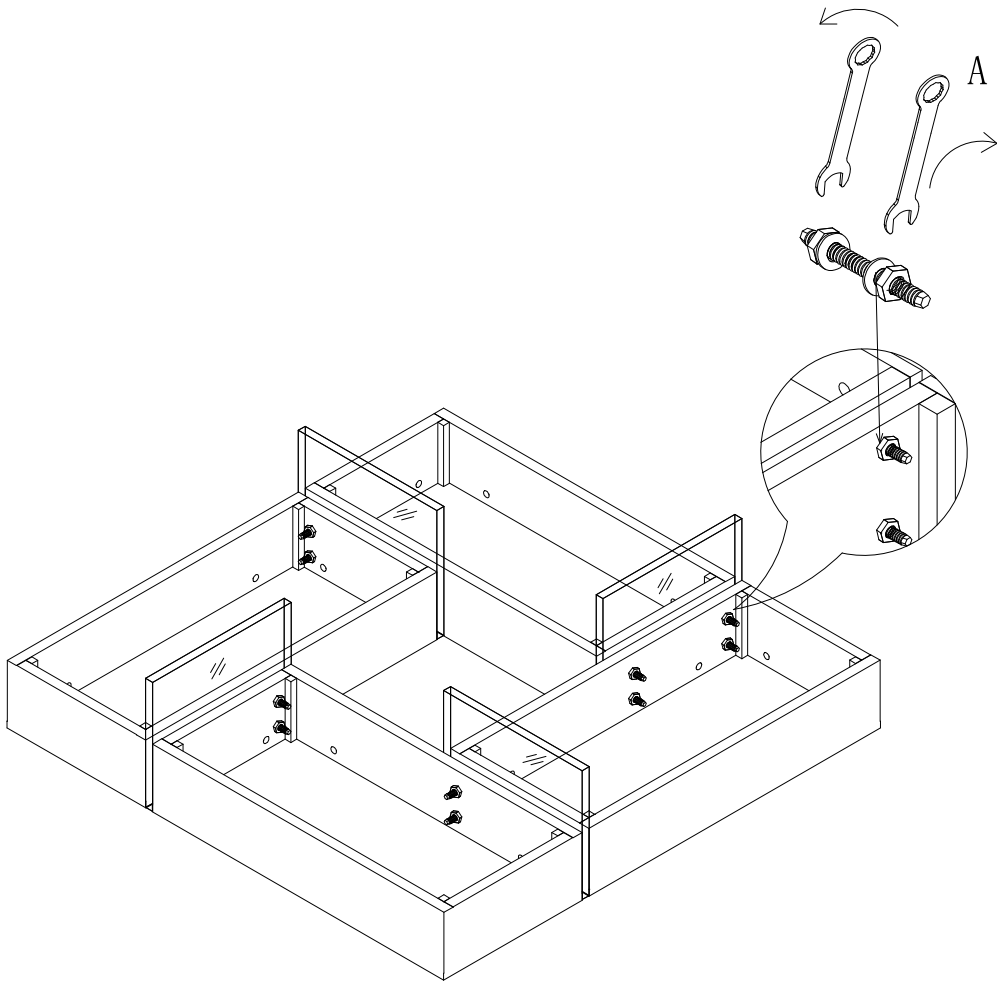


B x16
Spec: H15*ø15.8*ø10



2





4

