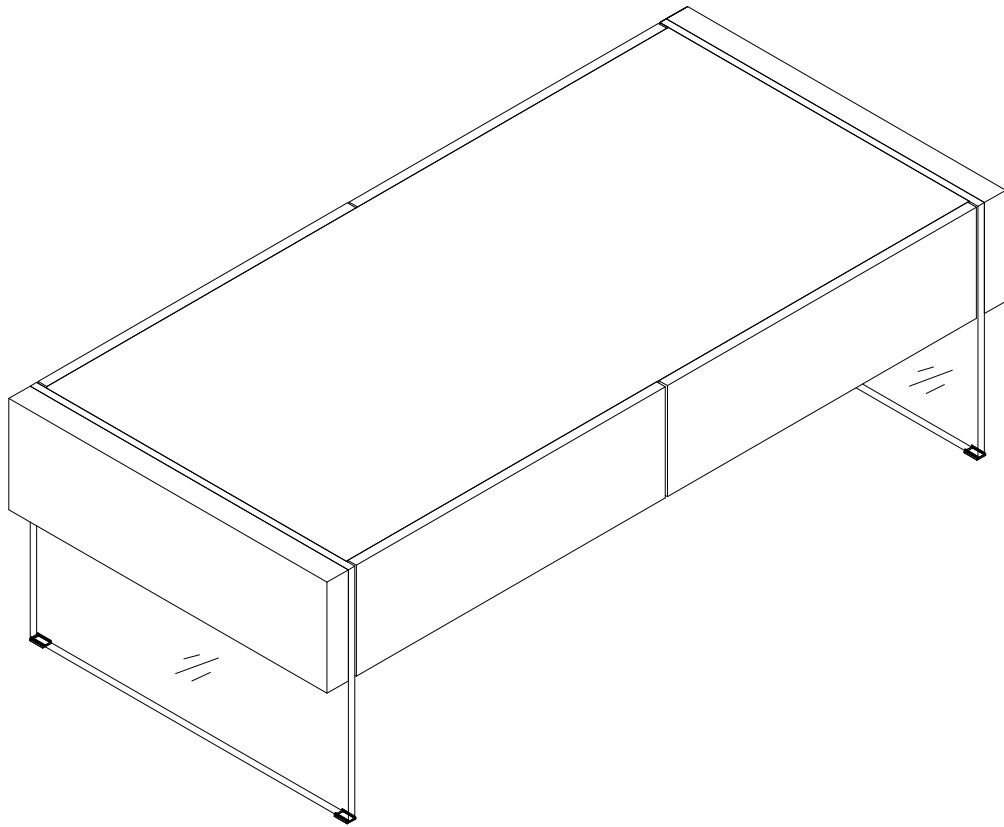
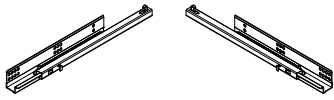
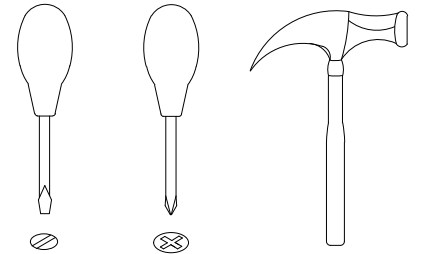
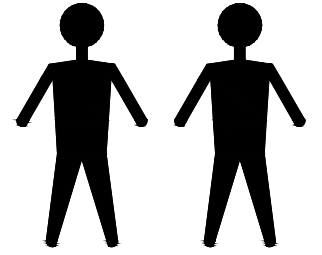


CP1803G



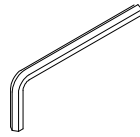
CP1803G



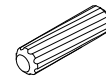
A x2
Spec: L400



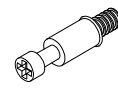
B x1
Spec: 10g



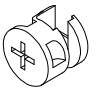
C x1
Spec: 5#



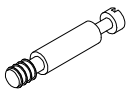
D x24
Spec: $\varnothing 8 \times 30$



E x8
Spec: $\varnothing 6 \times L28$



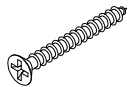
F x8
Spec: $\varnothing 12 \times H9$



G x20
Spec: $\varnothing 7 \times L30$



H x20
Spec: $\varnothing 15 \times H12$



I x8
Spec: $\varnothing 3.5 \times L35$



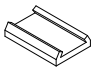
J x12
Spec: $\varnothing 6 \times L9$



K x28
Spec:



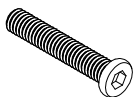
L x6
Spec:



M x4
Spec:



N x8
Spec: $\varnothing 11.8 \times \varnothing 10 \times L11$



O x8
Spec: 5/16*45



P x8
Spec: $\varnothing 8 \times \varnothing 14$



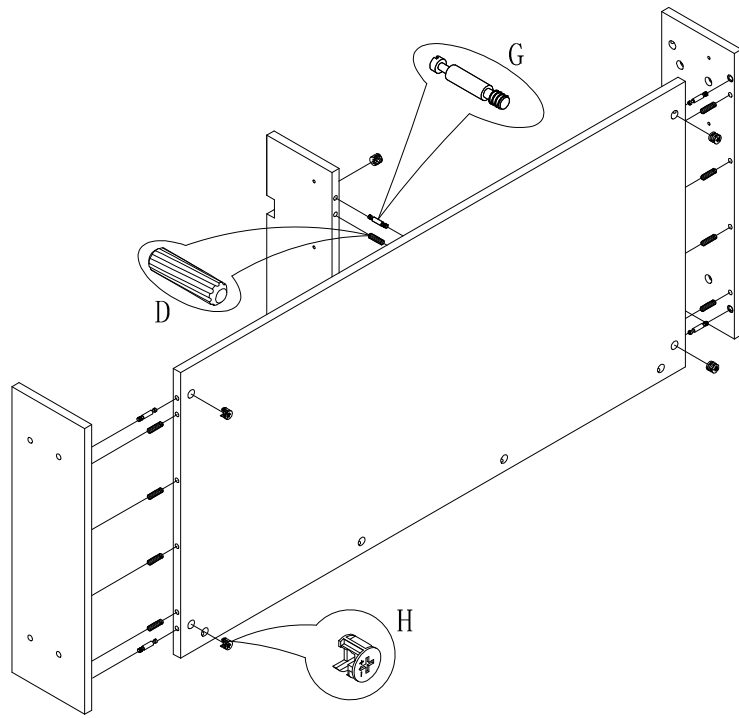
Q x1
Spec:



R x8
Spec: 3.8*L16

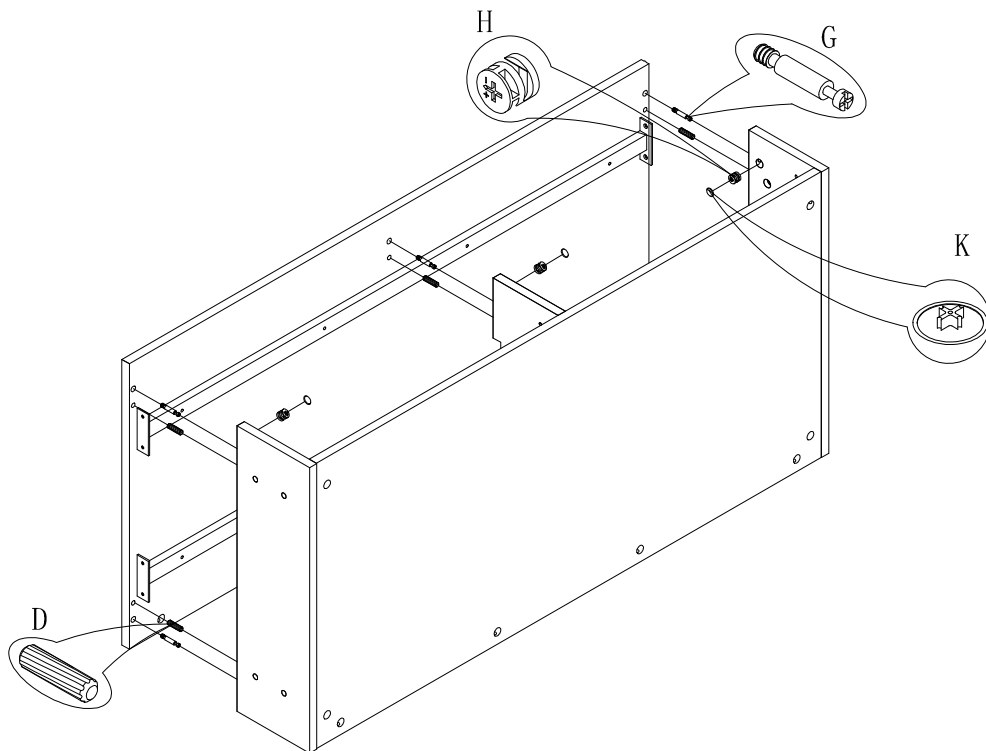


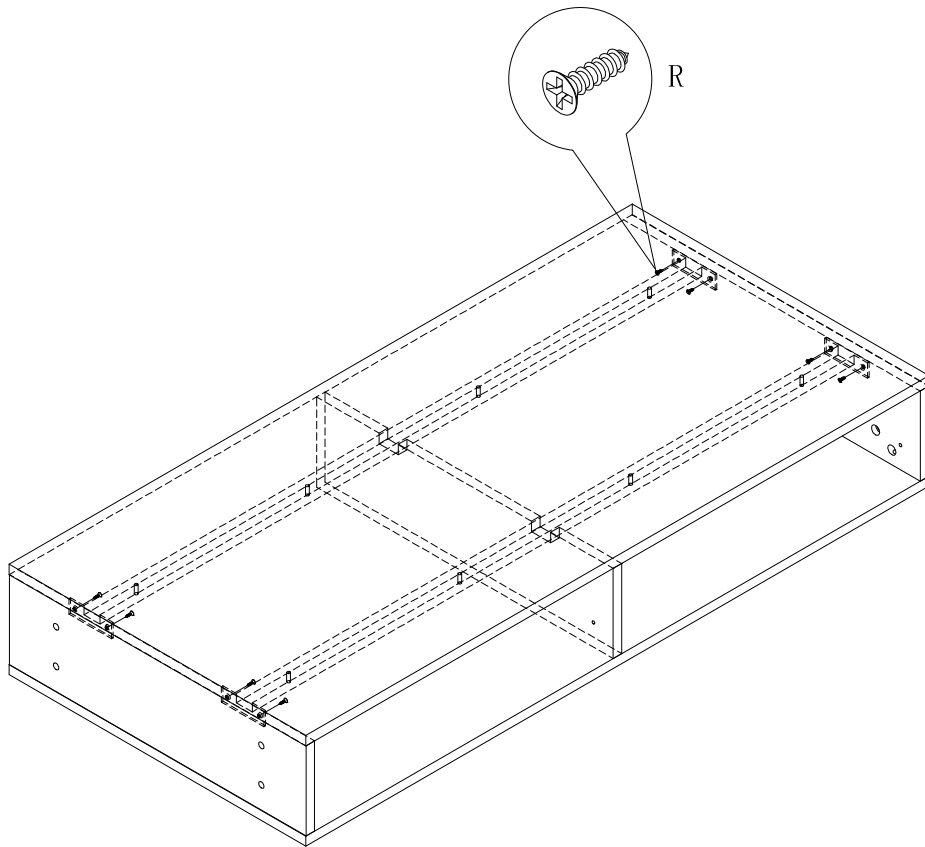
AAA x8
Spec: $\varnothing 3.8 \times L12$



1

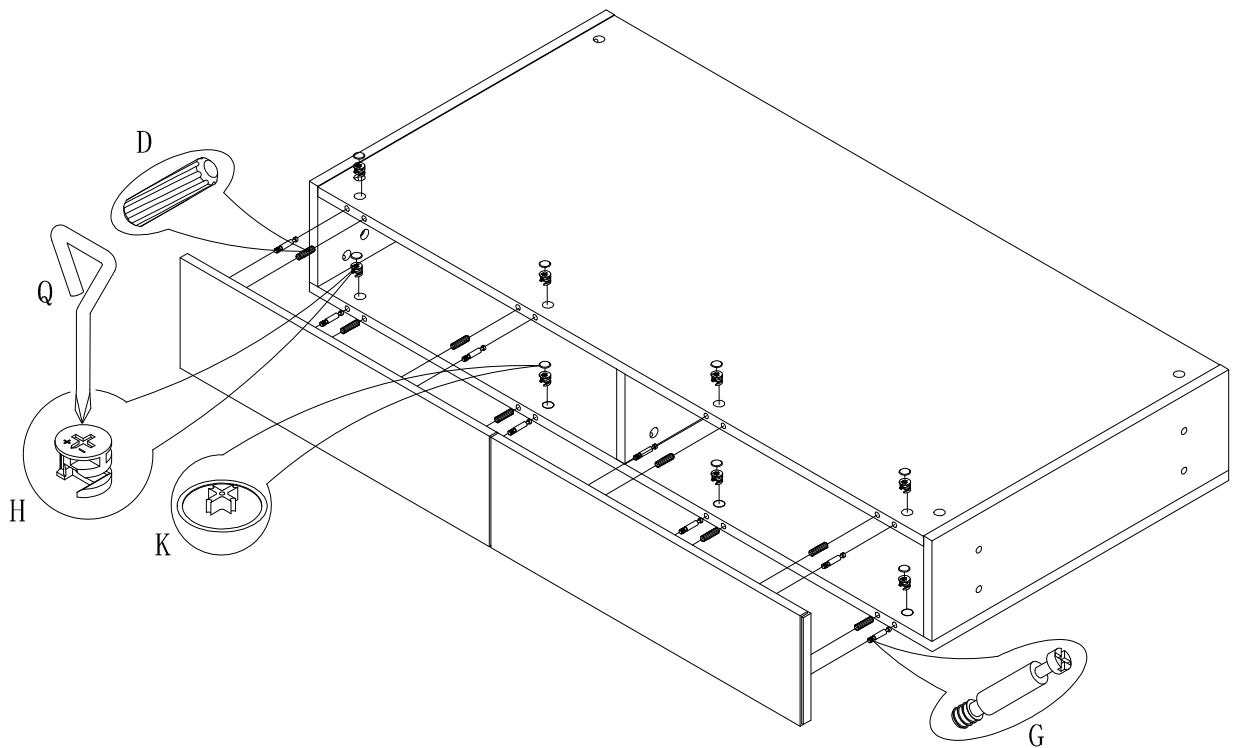
2

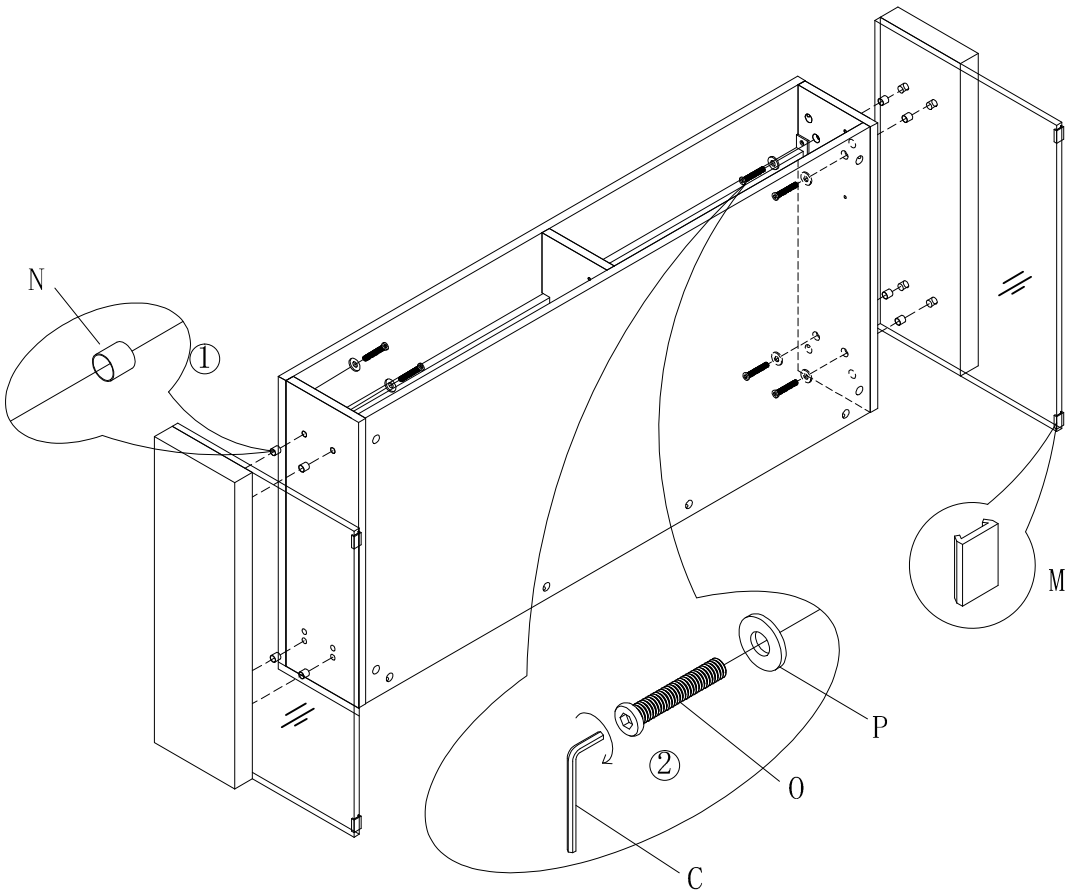




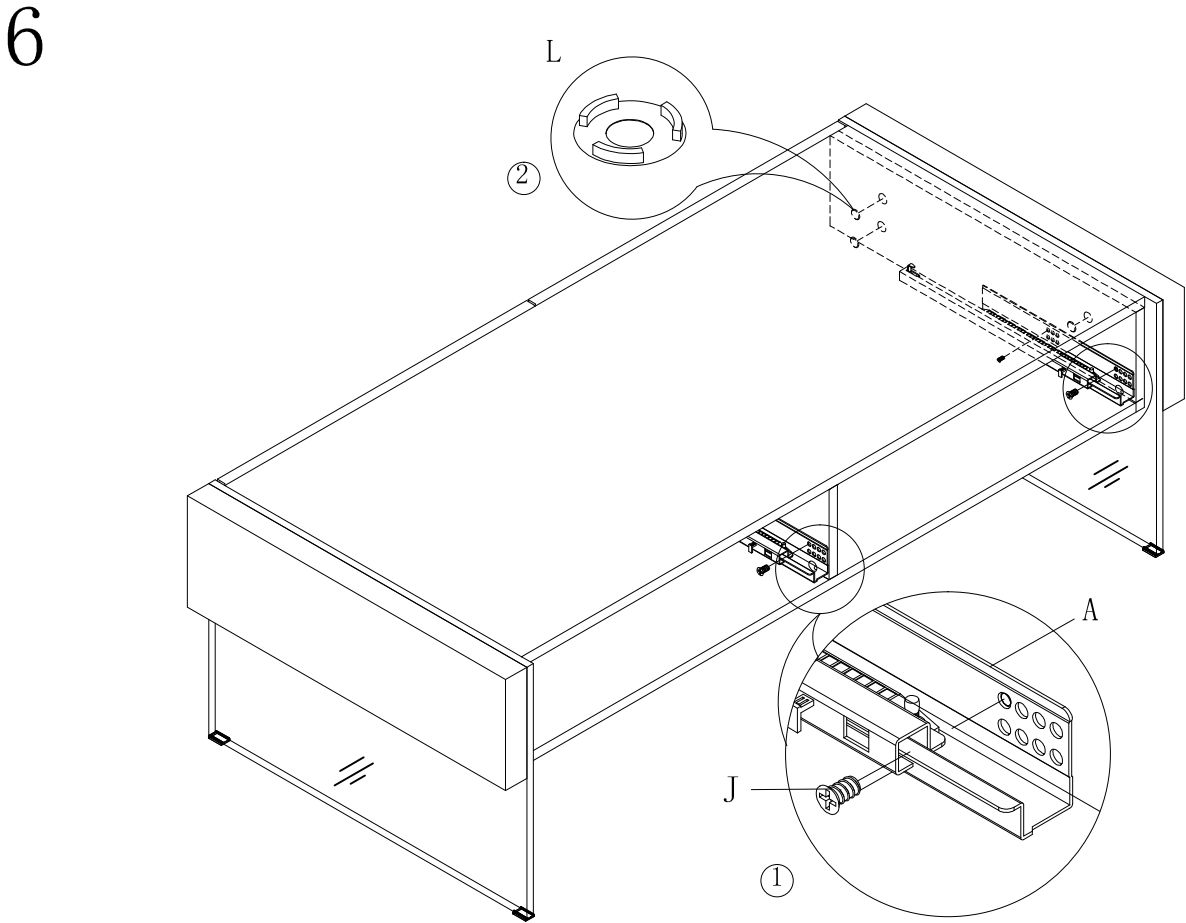
3

4

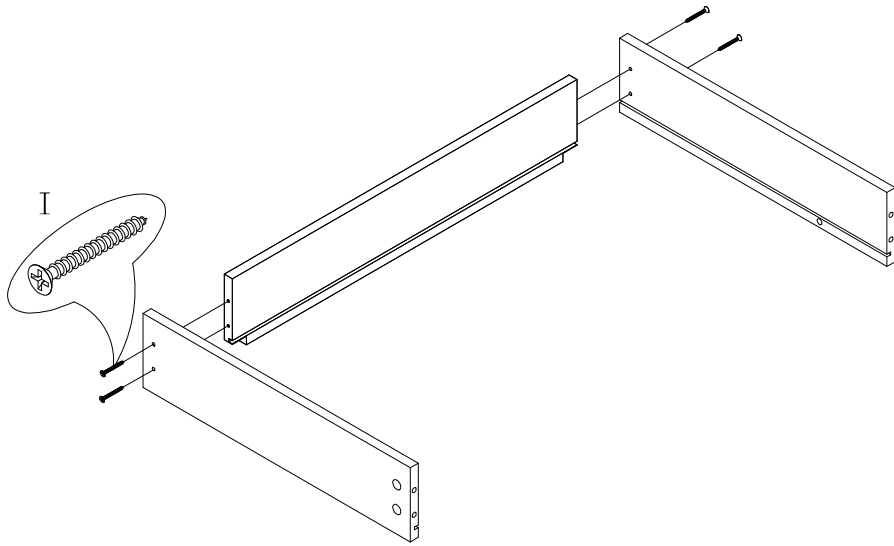




5

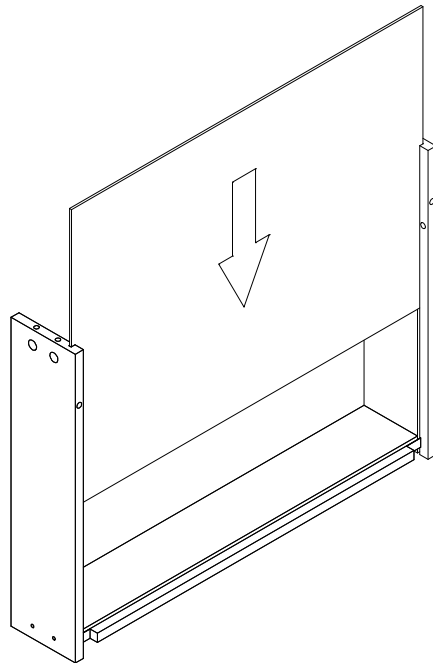


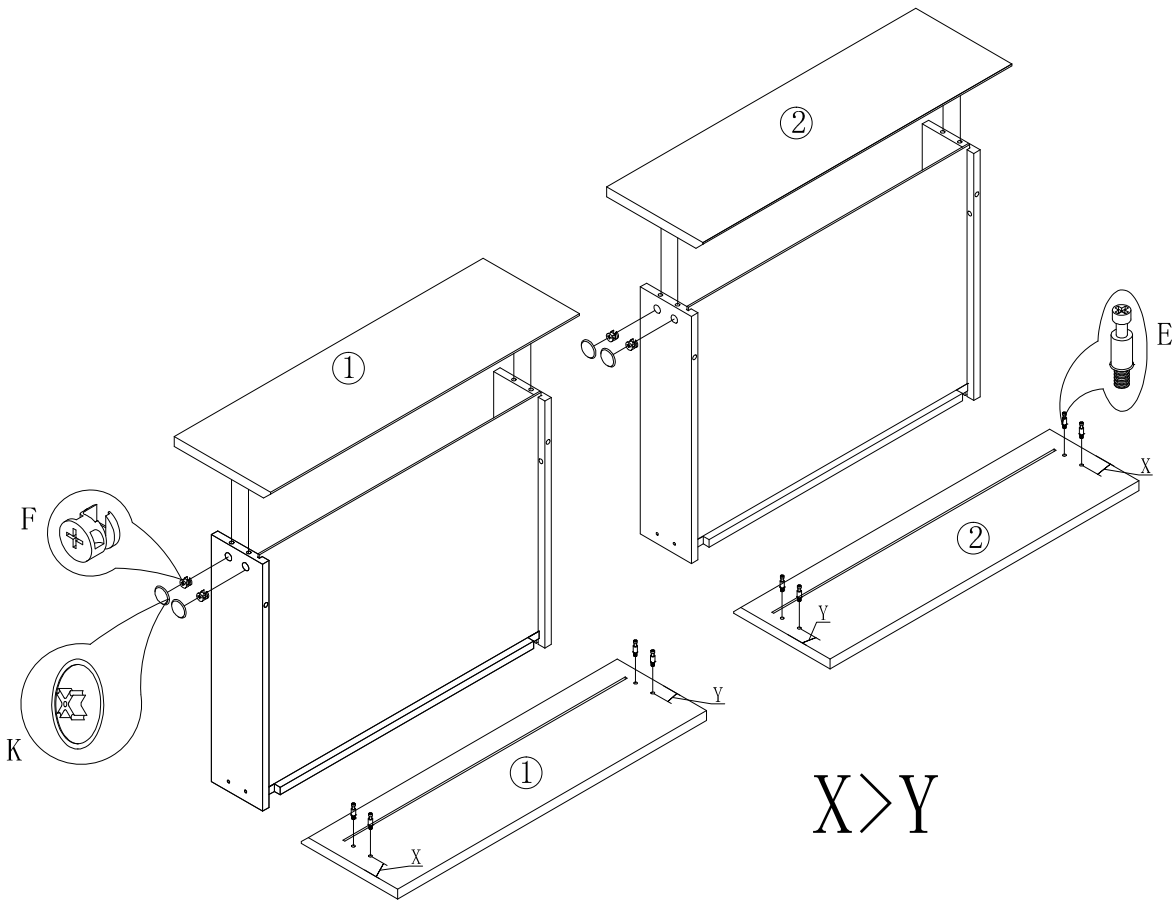
6



7

8





9

10

