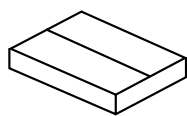
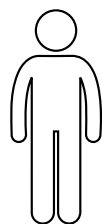


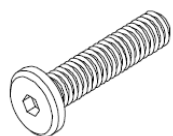
25 min



x2



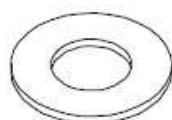
x2



Ax4 (M8x20)



Bx8 (3.5x16)



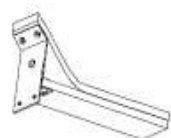
Cx4 (\varnothing 22x2)



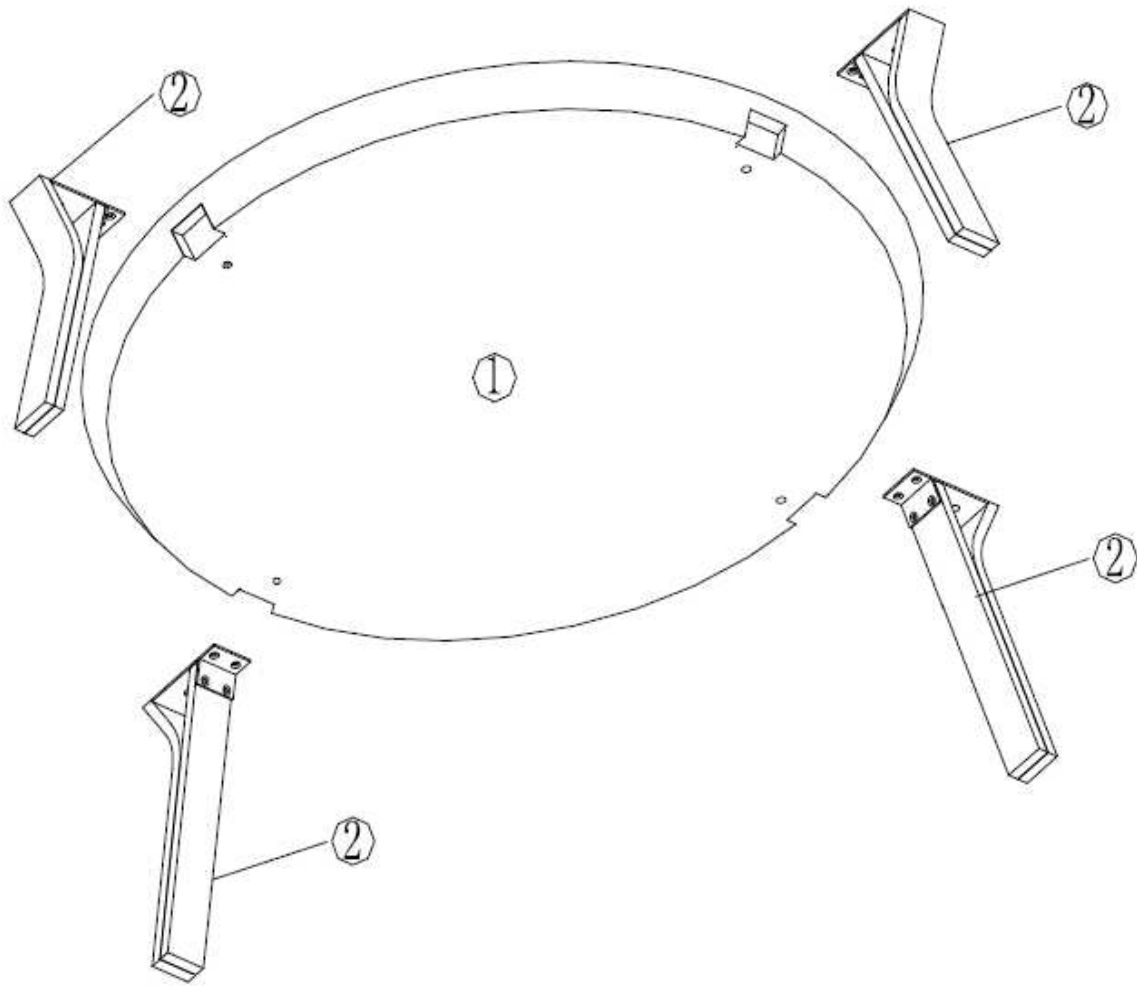
Dx1 (M5)



(1)x1



(2)x4





1

