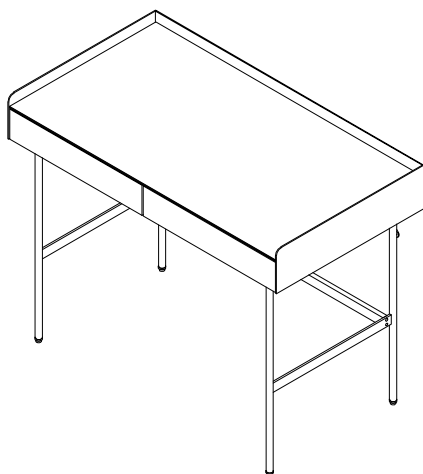
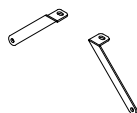
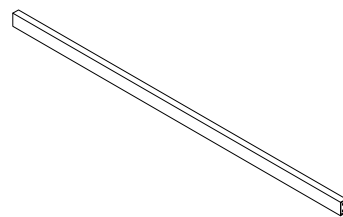
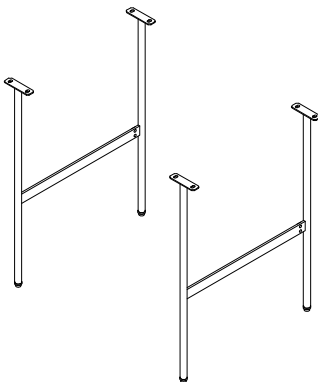
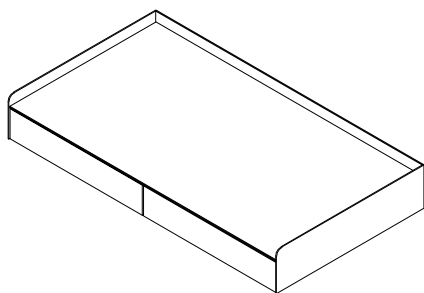


DT-093



Product components



The assembly parts



A: 16x



B: 1x

