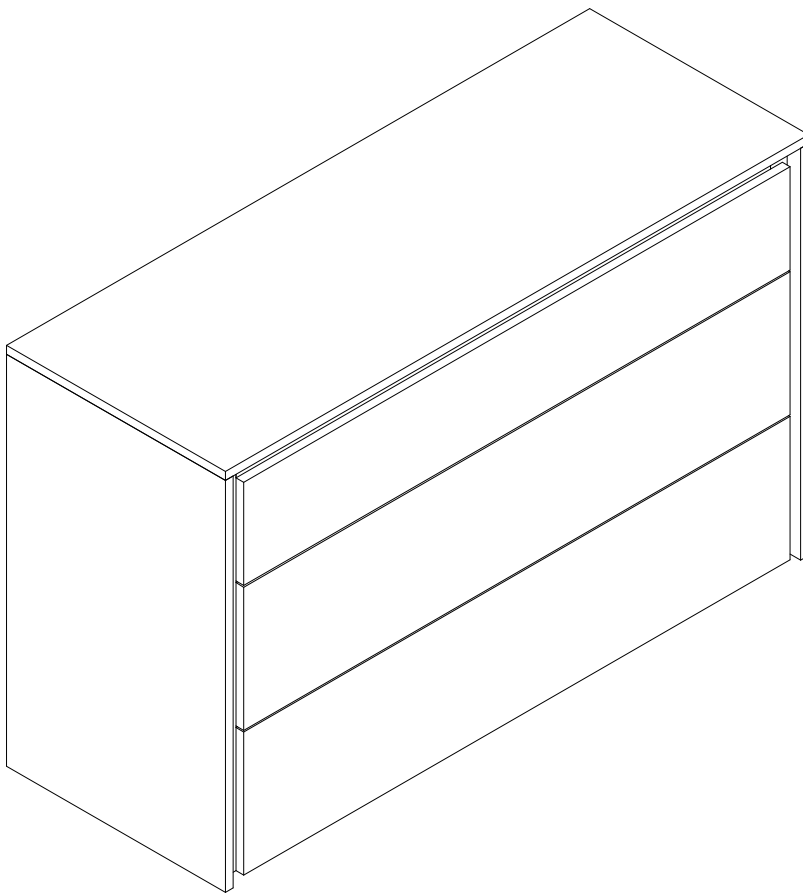
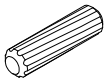
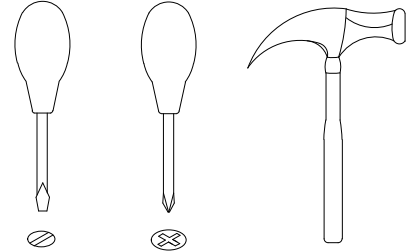
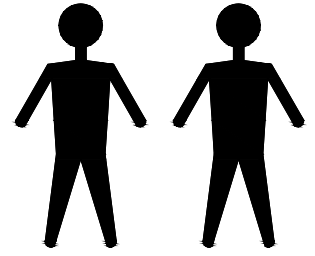


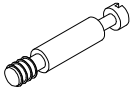
CP1104C



CP1104C



A x18
Spec: $\varnothing 8 \times 30$



B x21
Spec: $\varnothing 7 \times L30$



C x21
Spec: $\varnothing 15 \times H12$



D x28
Spec: $\varnothing 6 \times 30$



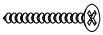
E x18
Spec: $\varnothing 6 \times L28$



F x18
Spec: $\varnothing 12 \times H9$



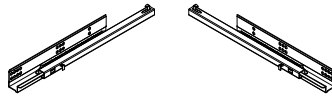
G x2
Spec: 10g



H x12
Spec: $\varnothing 3.5 \times L35$



I x12
Spec: $\varnothing 6 \times L8$



J x3
Spec: L400



K x10
Spec: H13



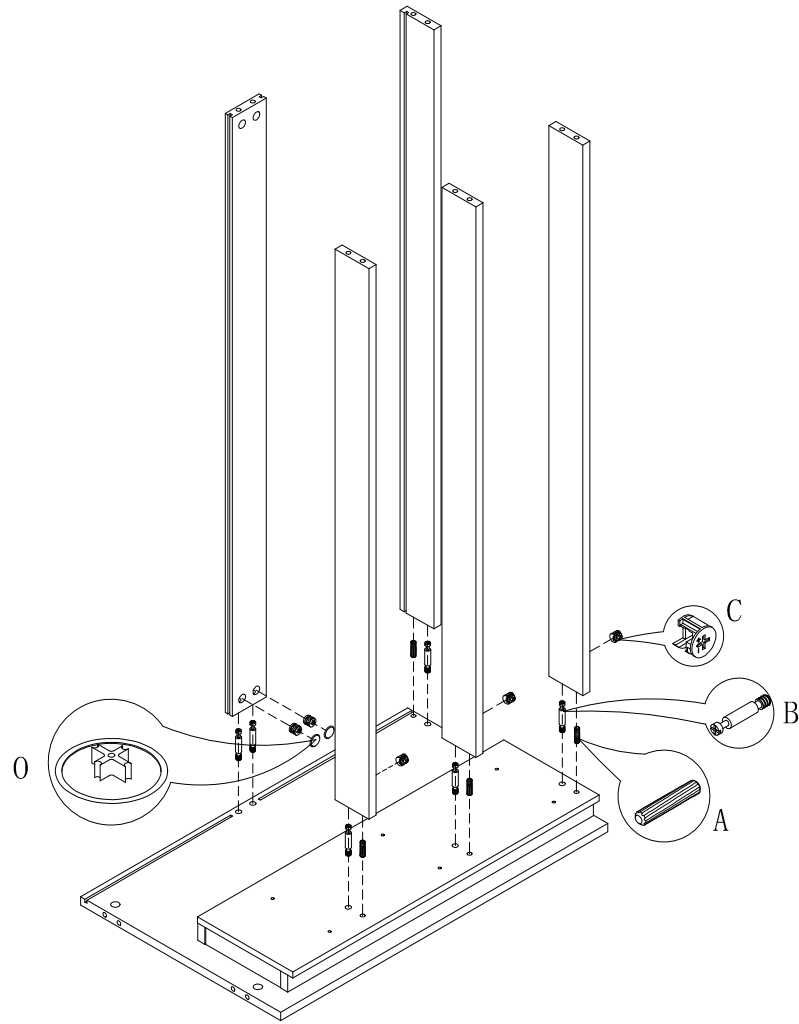
L x10
Spec: $\varnothing 3.5 \times L16$



O x39
Spec:

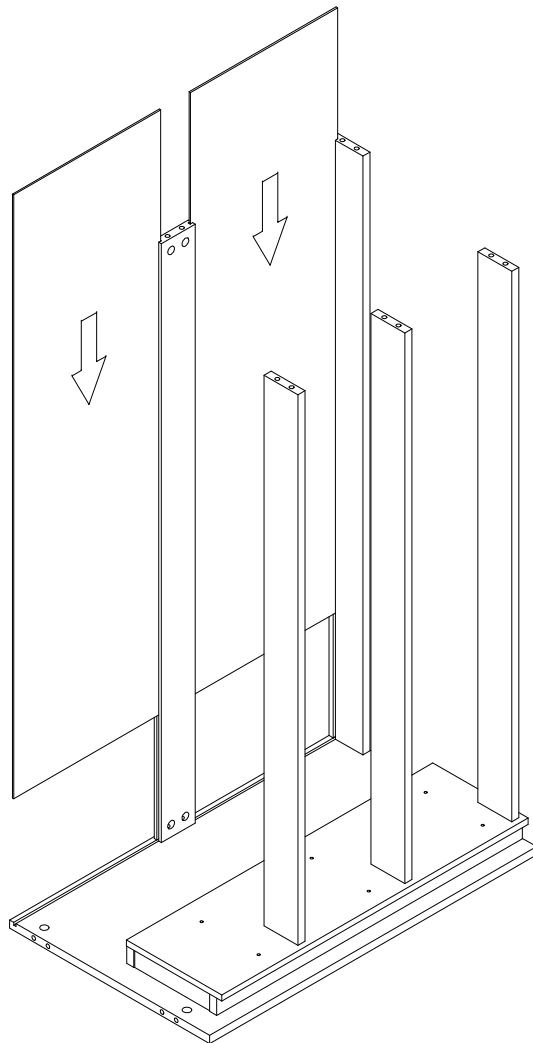


AAA x12
Spec: $\varnothing 3.8 \times L12$

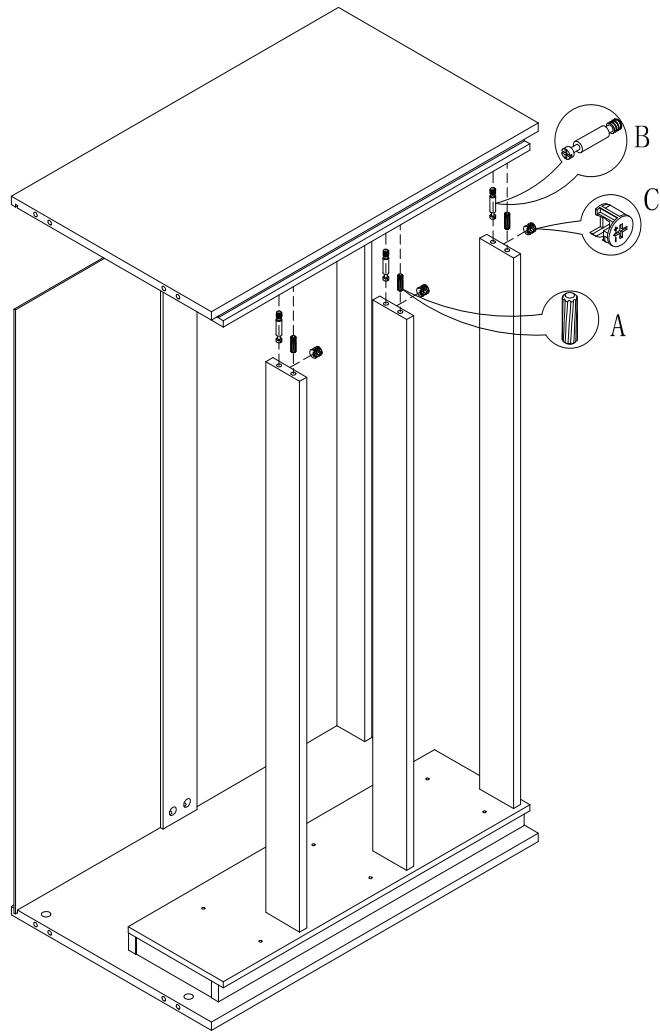


1

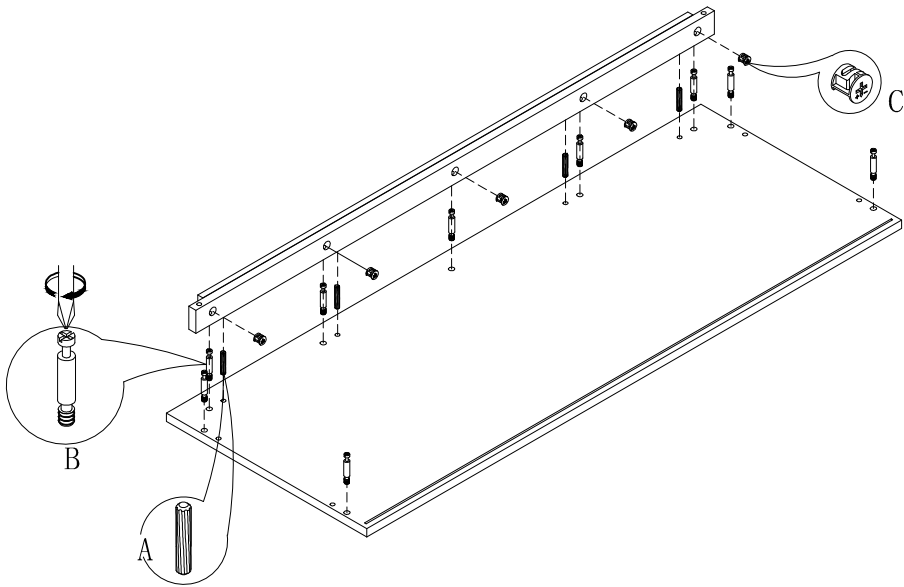
2

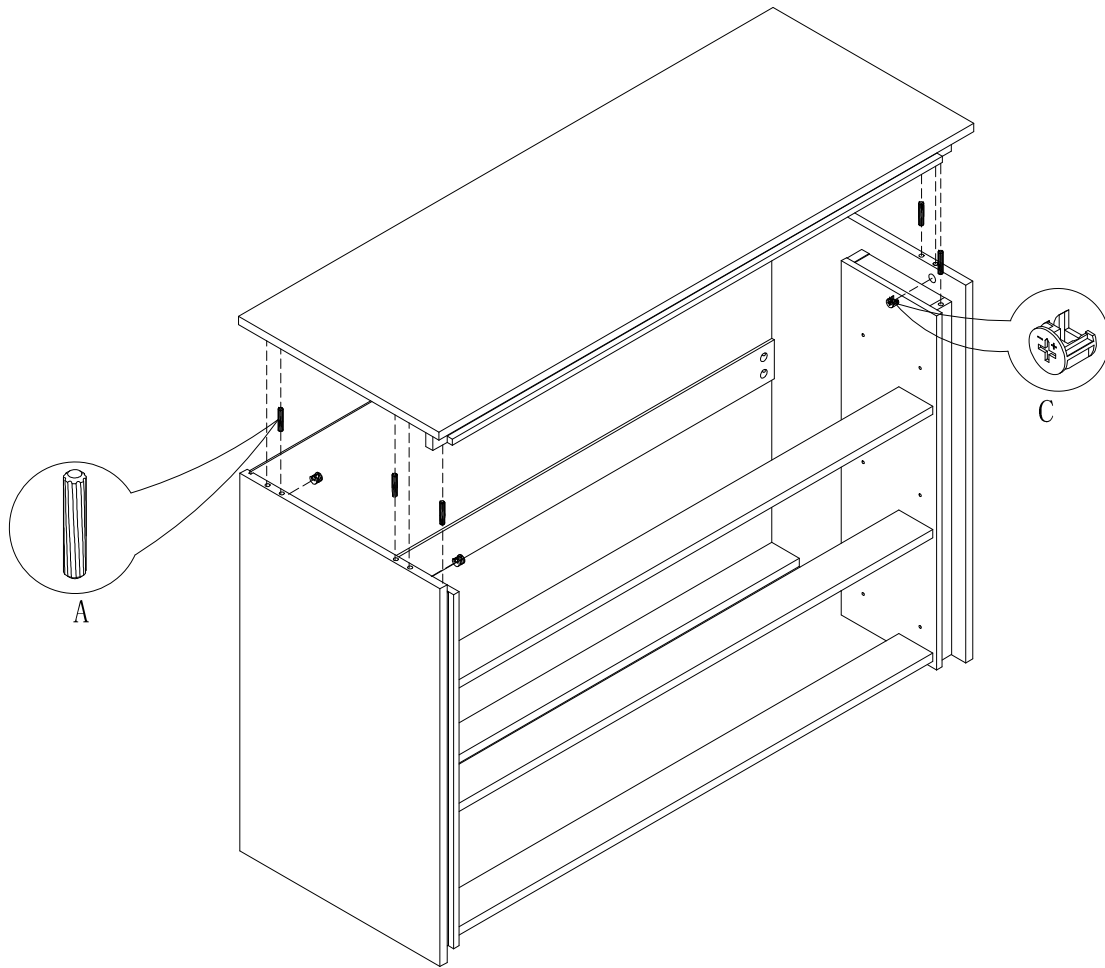


3



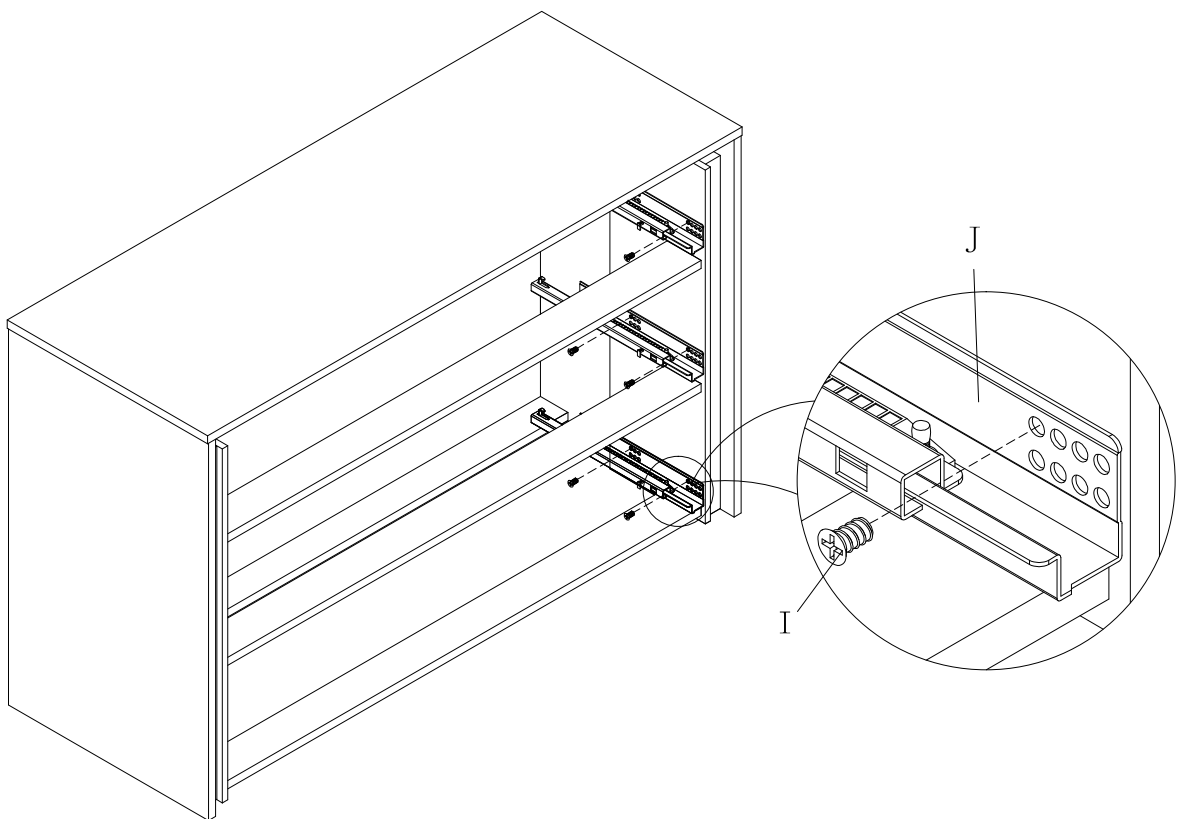
4

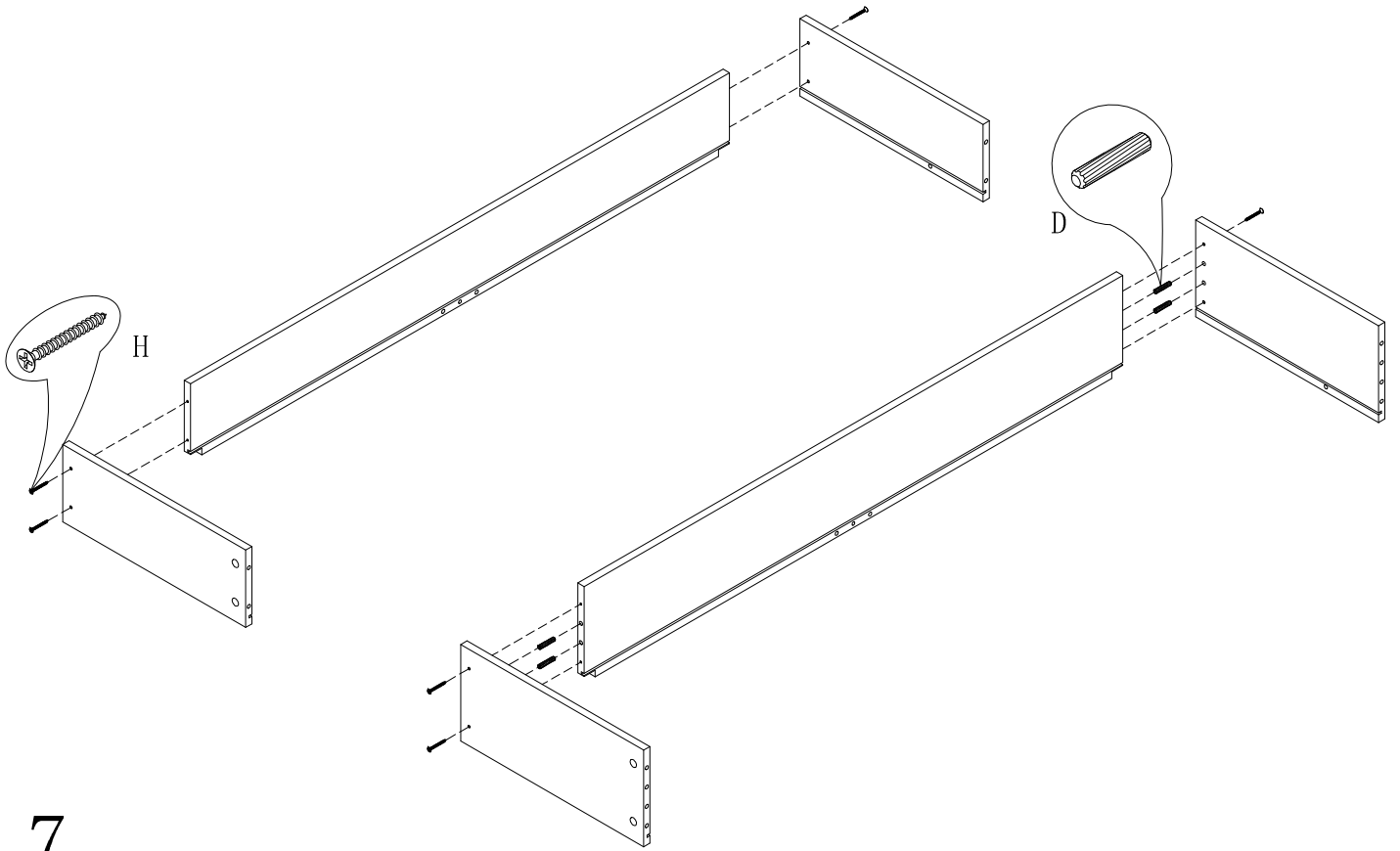




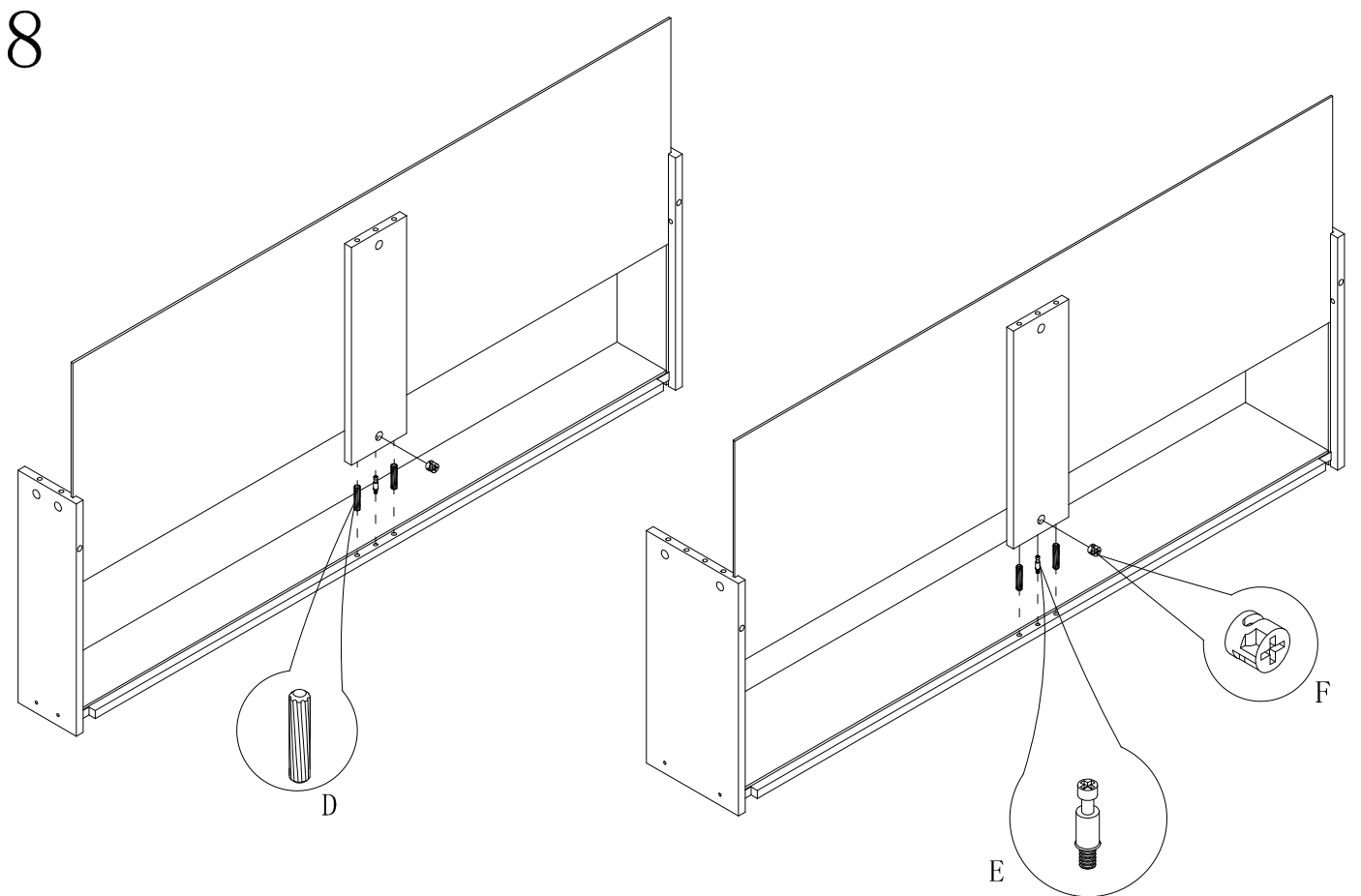
5

6

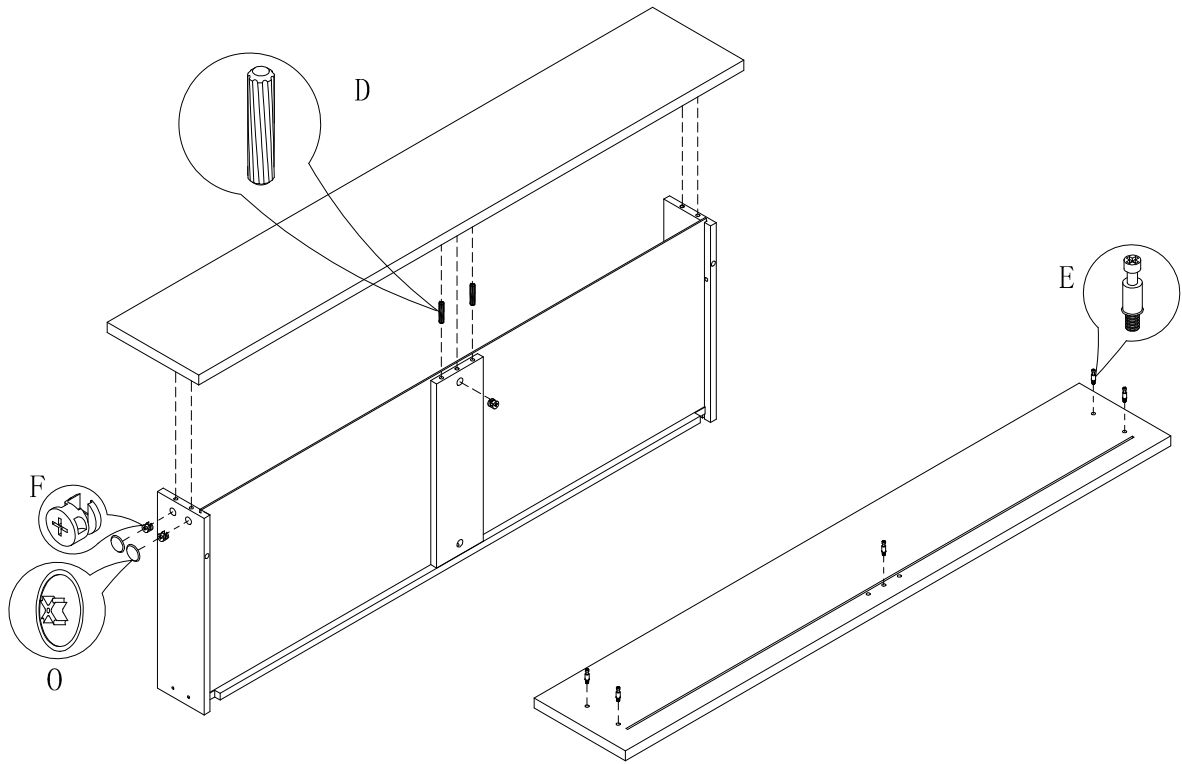




7

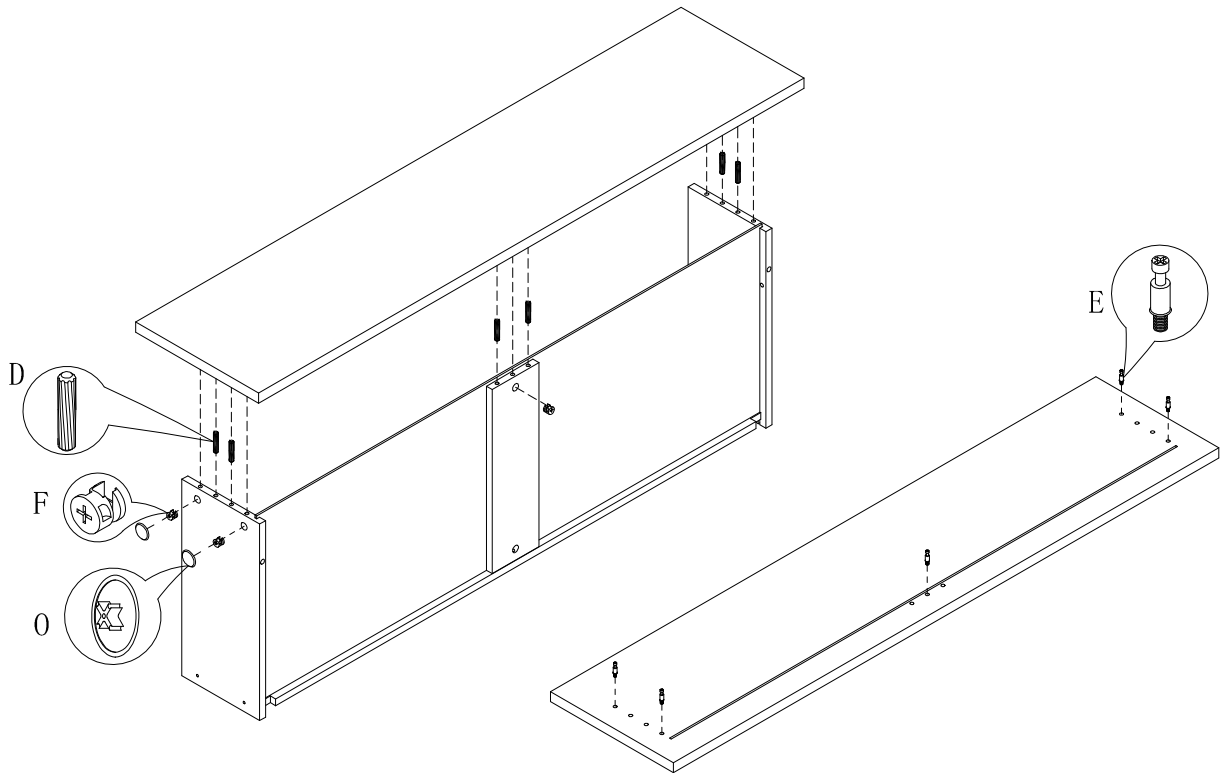


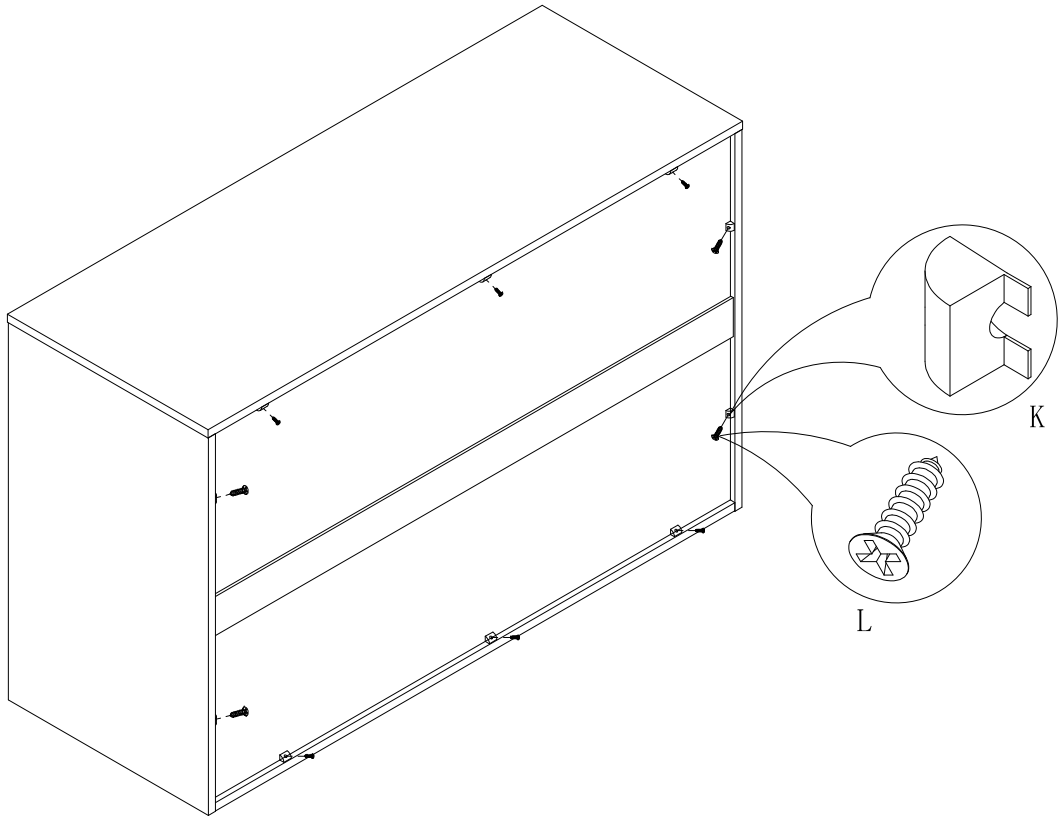
8



9

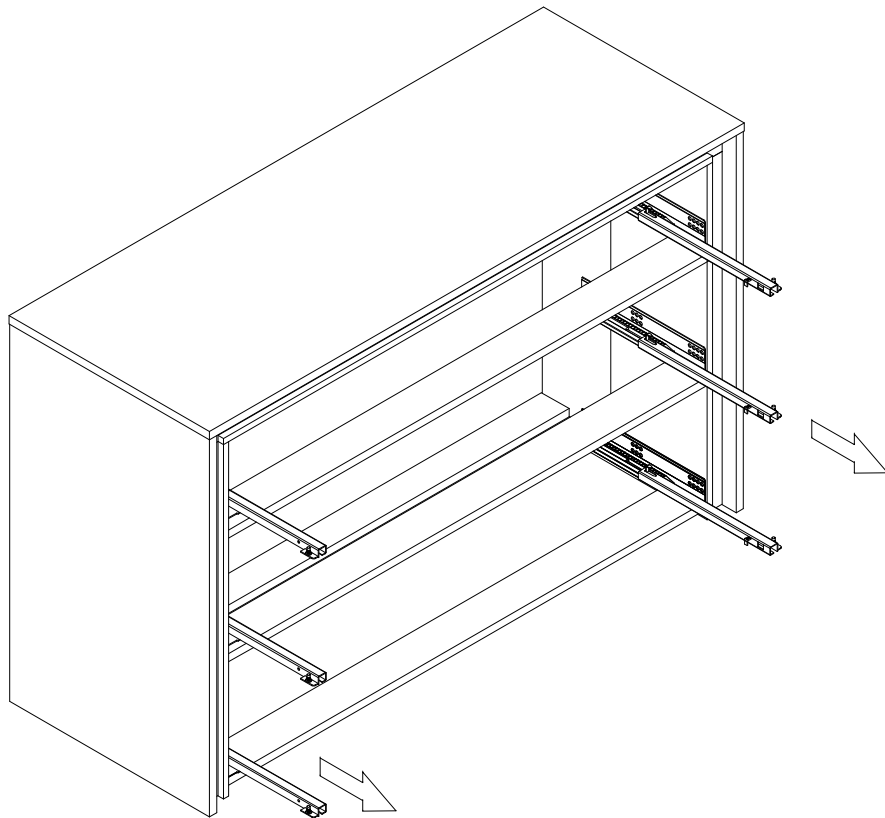
10

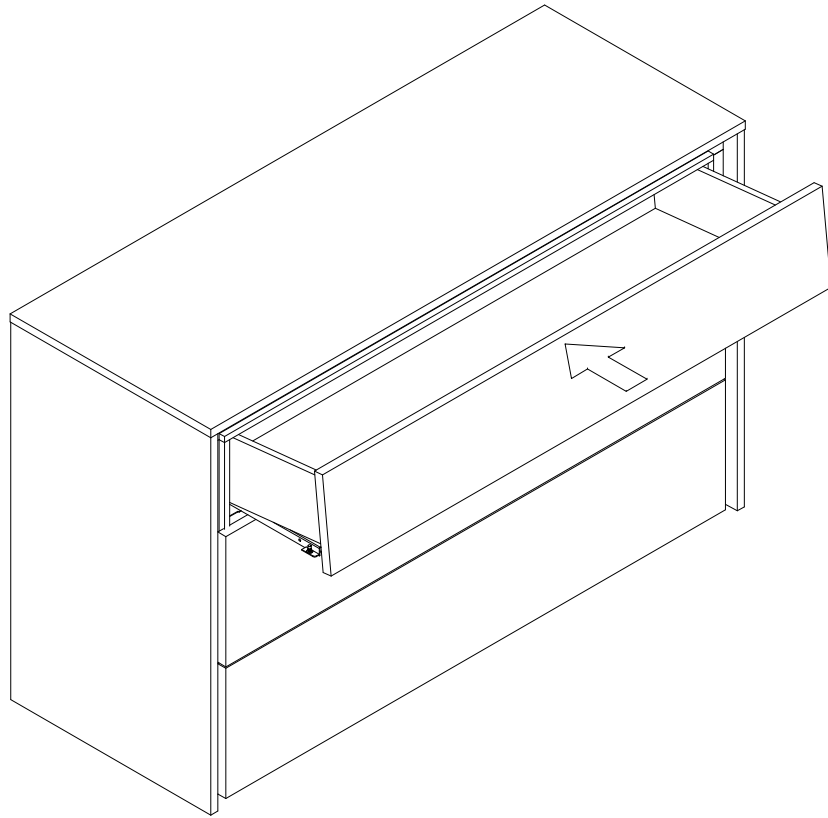




11

12





13
