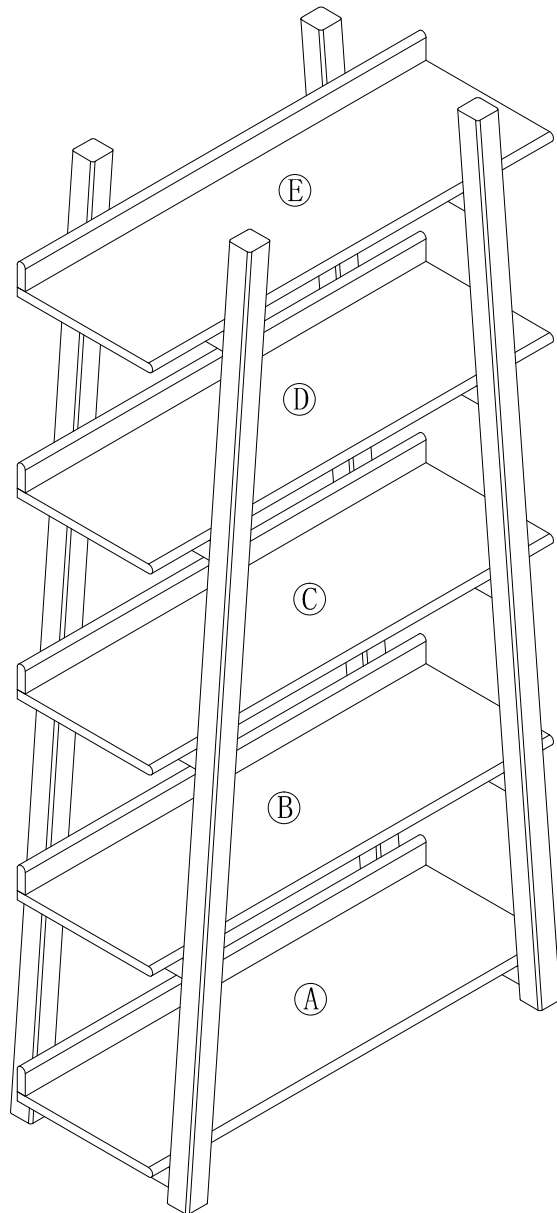
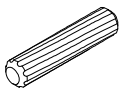
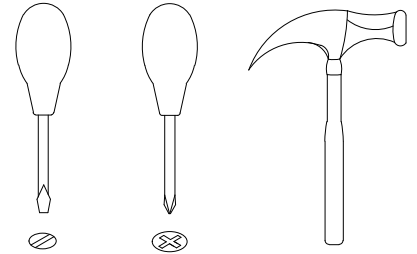
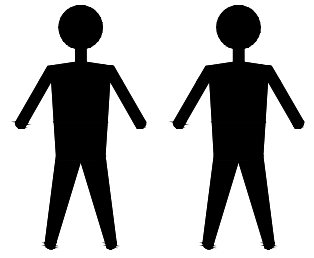


CP1602F



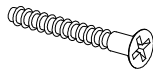
CP1602F



A x20
Spec: $\varnothing 8 \times 30$



B x1
Spec: 10g



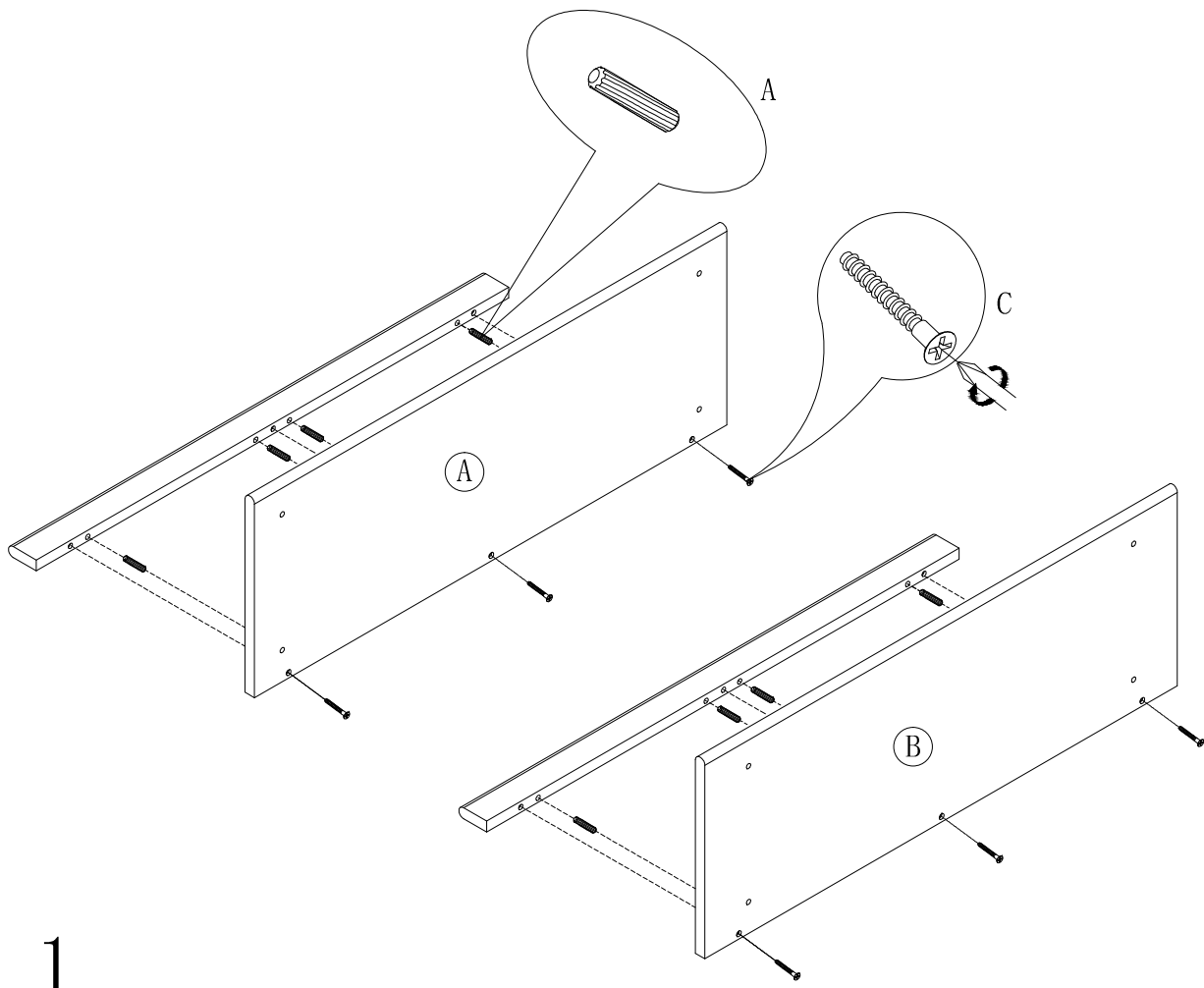
C x15
Spec: $\varnothing 5 \times L38$



D x20
Spec: $\varnothing 8.2 \times \varnothing 14$

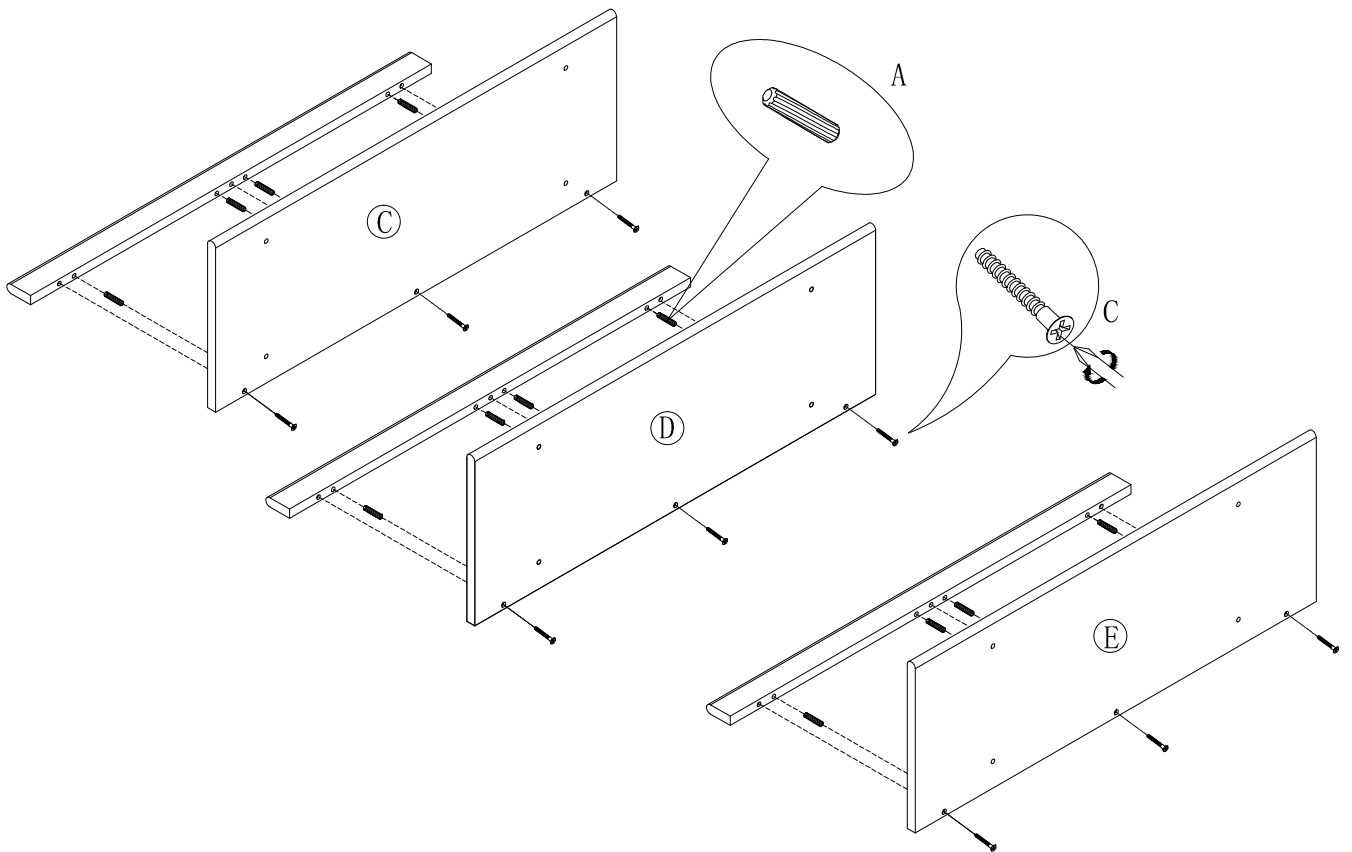


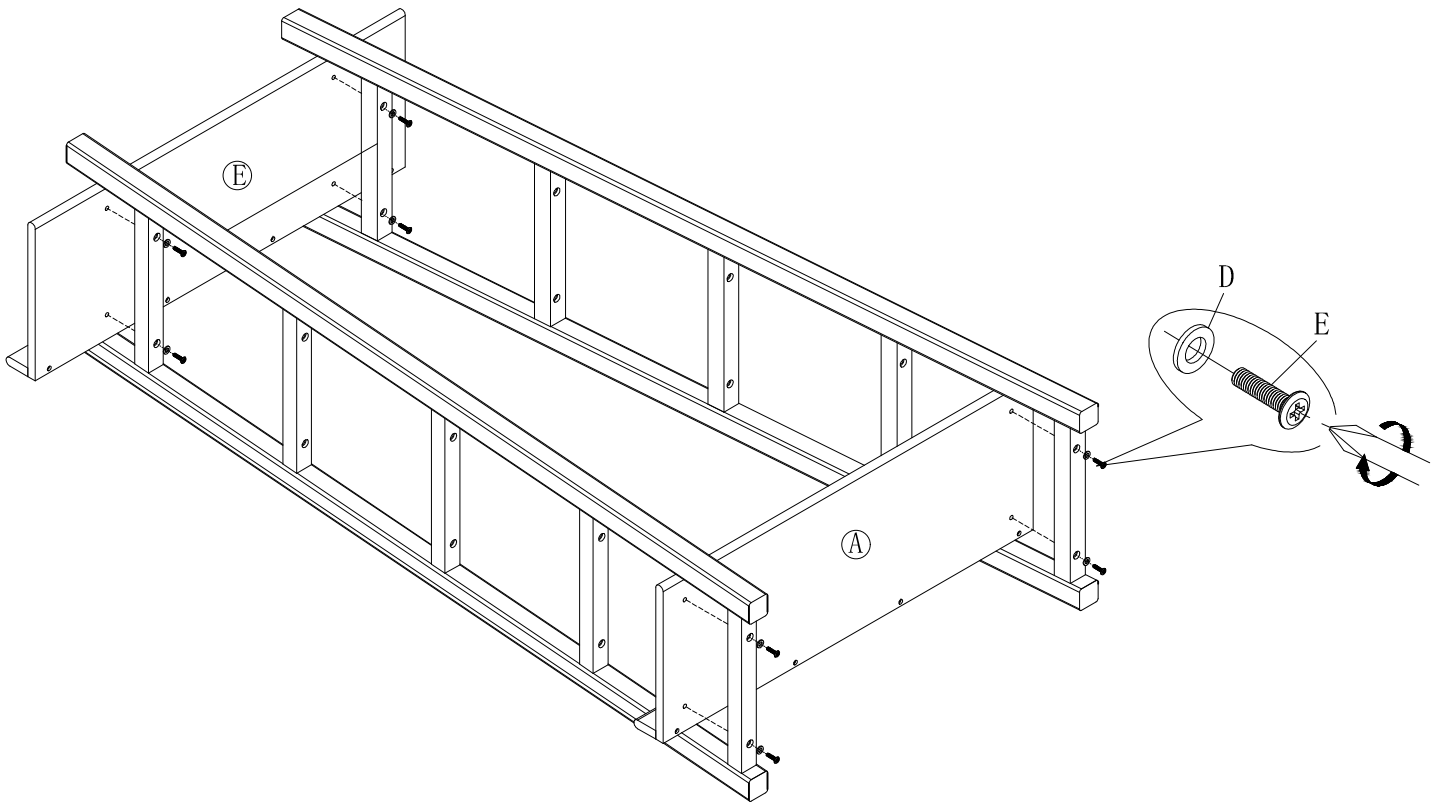
E x20
Spec: M6*40



1

2





3

4

